

# AJ-026 Serie

Mini Low Profile Gang Jack - SINGLE PORT

## Specifications

### Material

Housing :	High Strength Thermoplastic Polyester
Contacts :	Phosphor Bronze
Contact Plating :	Gold Over Nickel On Mating Area, Tin-lead Alloy On Tails
Shield :	Copper Alloy, Tin Plated

### Electrical

UL & cUL File :	E131820
FCC File :	E149026

## Ordering Information

AJ-XXX-X-X-X

#### NUMBER OF POSITIONS

026-16      6 Positions  
026-18      6 Positions

#### GOLD PLATING

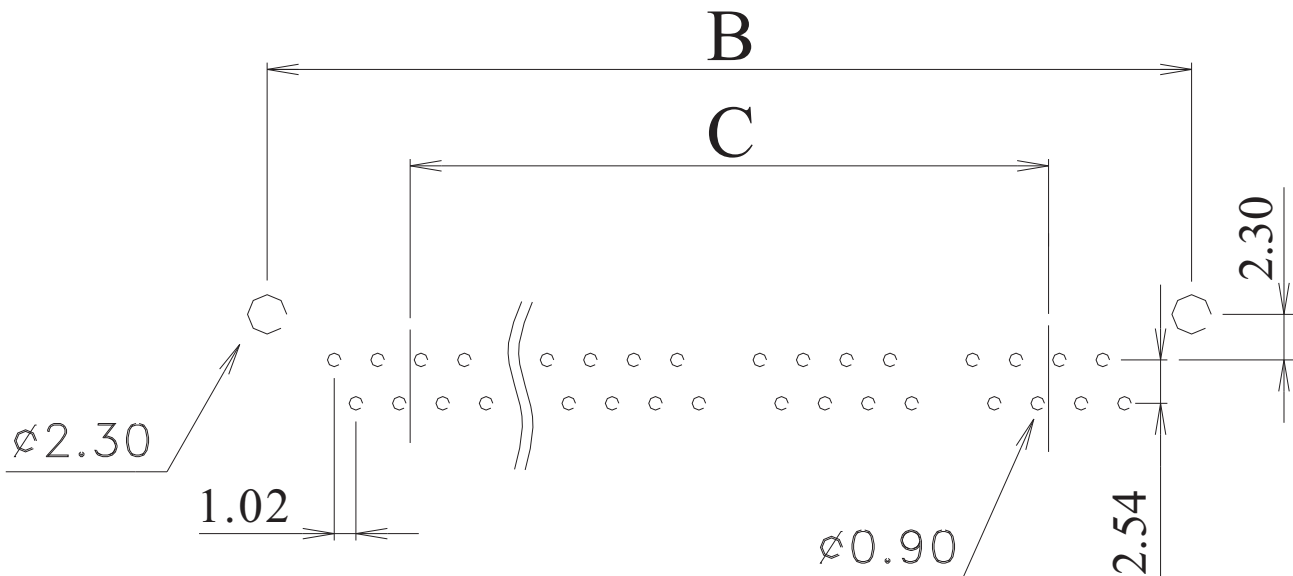
1 = 15u      3 = 50u  
2 = 30u      4 = 6u

NUMBER OF PORT  
1 to 12 Ports

#### NUMBER OF POSITIONS & CONTACTS

F = 8p8c  
B = 6p2c , C = 6p4c , D = 6p6c

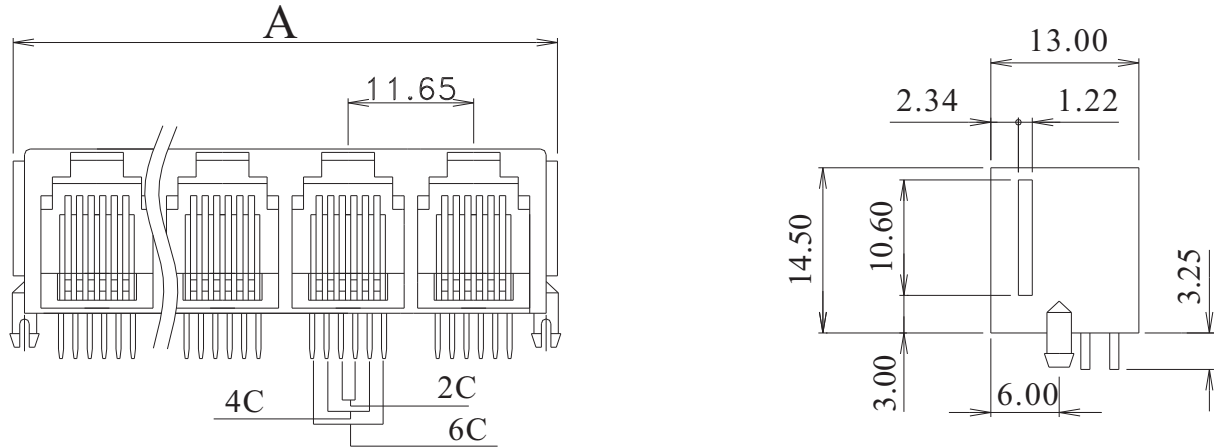
## PCB LAYOUT



# AJ-026 Serie

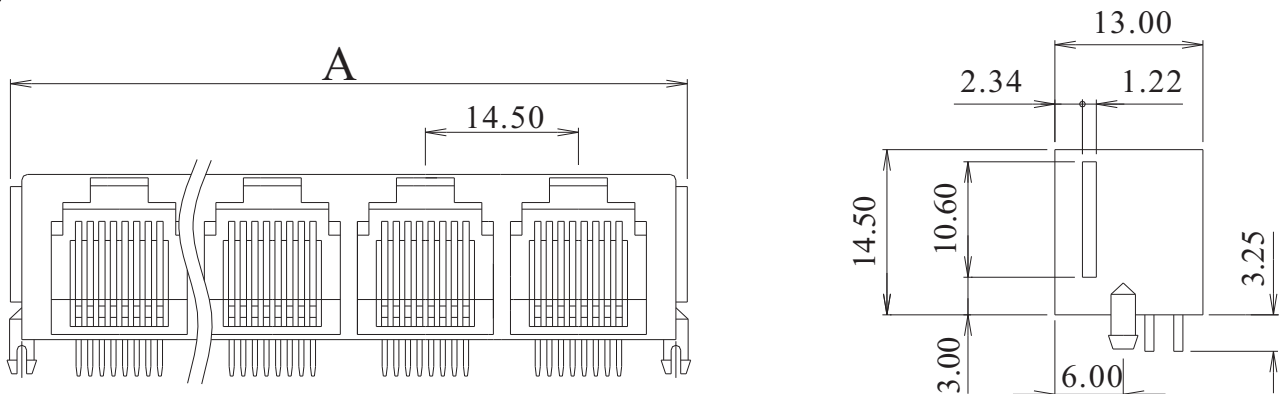
## Mini Low Profile Gang Jack - SINGLE PORT

### AJ-026-16



Number Of ports	2	3	4	5	6	7	8	9	10	11	12
A	25.80	37.45	49.10	60.75	72.40	84.05	95.70	107.35	119.00	130.65	142.30
B	23.80	35.45	47.10	58.75	70.40	82.05	93.70	105.35	117.00	128.65	140.30
C	11.65	23.30	34.95	46.60	58.25	69.90	81.55	93.20	104.85	116.50	128.15

### AJ-026-18



Number Of ports	2	3	4	5	6	7	8	9	10	11	12
A	17.50	32.00	46.50	61.00	75.50	90.00	104.50	119.00	133.50	148.00	162.50
B	15.50	30.00	44.50	59.00	73.50	88.00	102.50	117.00	131.50	146.00	160.50
C	14.50	29.00	43.50	58.00	72.50	87.00	100.50	116.00	130.50	154.00	159.50

# AJ-026 Serie

Mini Low Profile - SINGLE PORT

## Specifications

### Material

Housing :	High Strength Thermoplastic Polyester
Contacts :	Phosphor Bronze
Contact Plating :	Gold Over Nickel On Mating Area, Tin-lead Alloy On Tails
Shield :	Copper Alloy, Tin Plated

### Electrical

UL & cUL File :	E131820
FCC File :	E149026

## Ordering Information

AJ-XXX-X-X

### NUMBER OF POSITIONS

026-4	4 Positions
026-6(SH)	6 Positions (Shielded)
026-8(SH)	8 Positions (Shielded)
026-10(SH)	10 Positions (Shielded)

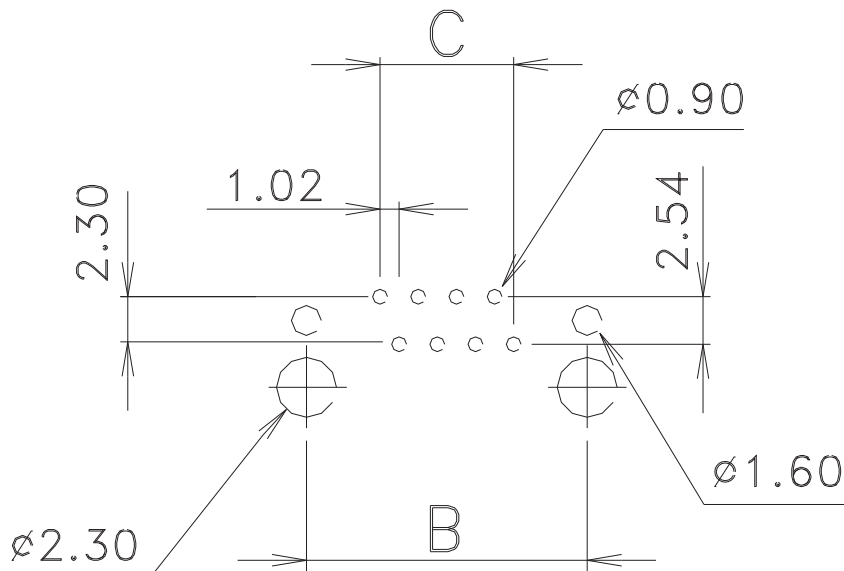
### GOLD PLATING

1 = 15u , 3 = 50u
2 = 30u , 4 = 6u

### NUMBER OF POSITIONS & CONTACTS

A = 4p4c
B = 6p2c , C = 6p4c , D = 6p6c
F = 8p8c , G = 10p10c

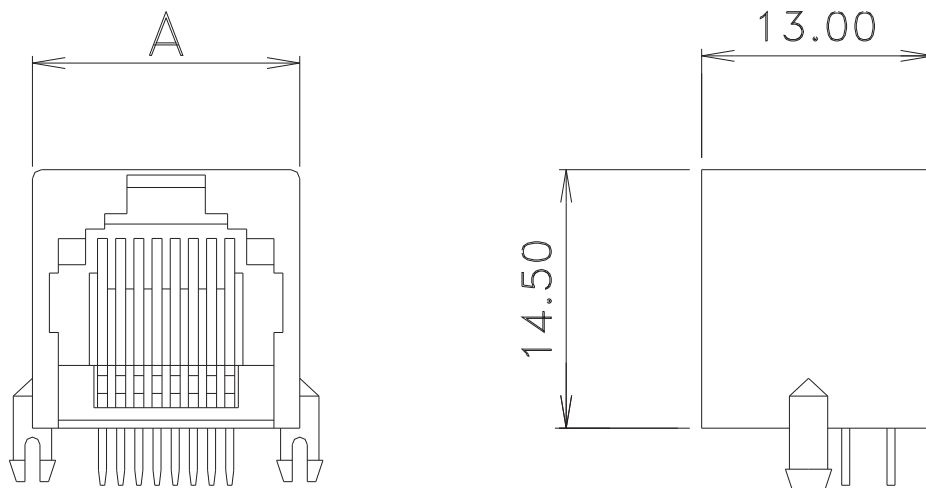
## PCB Layout



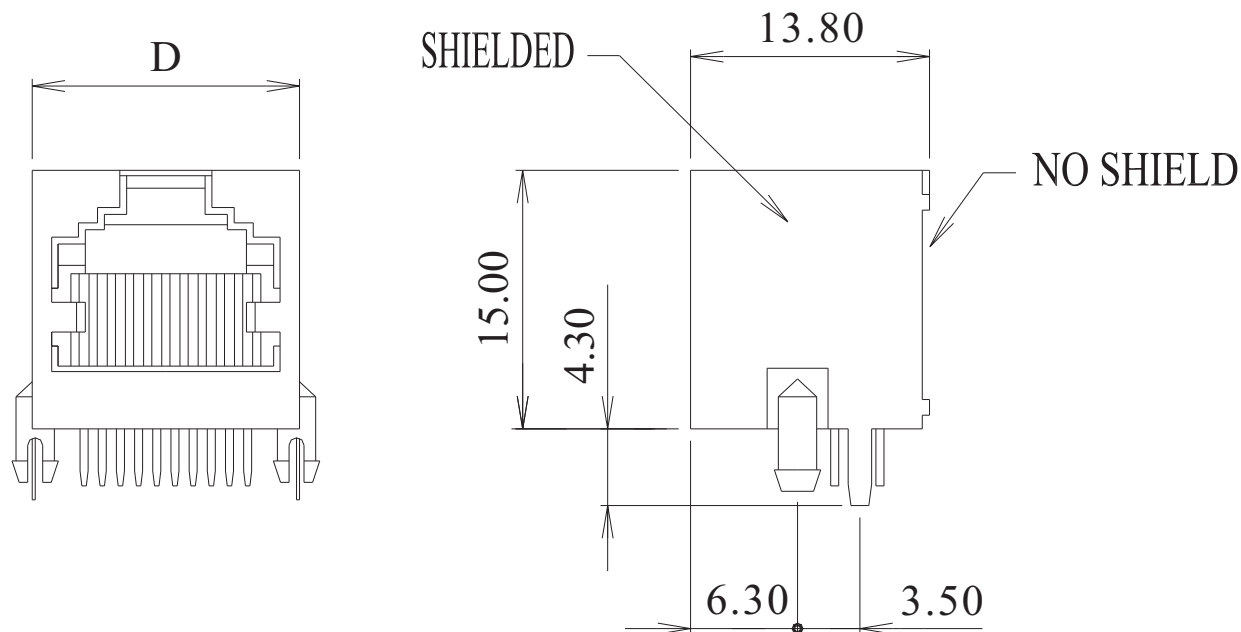
# AJ-026 Serie

Mini Low Profile - SINGLE PORT

## Non Shielded



## Shielded



Number Of positions	A	B	C	D
4	10.00	10.00	3.06	
6	12.20	12.00	5.10	13.10
8	15.00	15.00	7.14	15.90
10	15.00	15.00	9.18	15.90