

AJ-031 Serie

VERY LOW PROFILE - SINGLE PORT

Specifications

Material

Housing :	High Strength Thermoplastic Polyester
Contacts :	Phosphor Bronze
Contact Plating :	Gold Over Nickel On Mating Area, Tin-lead Alloy On Tails
Shield :	Copper Alloy, Tin Plated

Electrical

UL & cUL File :	E131820
FCC File :	E149026

Ordering Information

AJ-XXX-X-X-X

NUMBER OF POSITIONS

031-6	6 Positions
031-8	8 Positions
031-10	10 Positions
031SH-6	6P(Shielded)
031SH-8	8P(Shielded)
031SH-10	10P(Shielded)

N-Flangeless

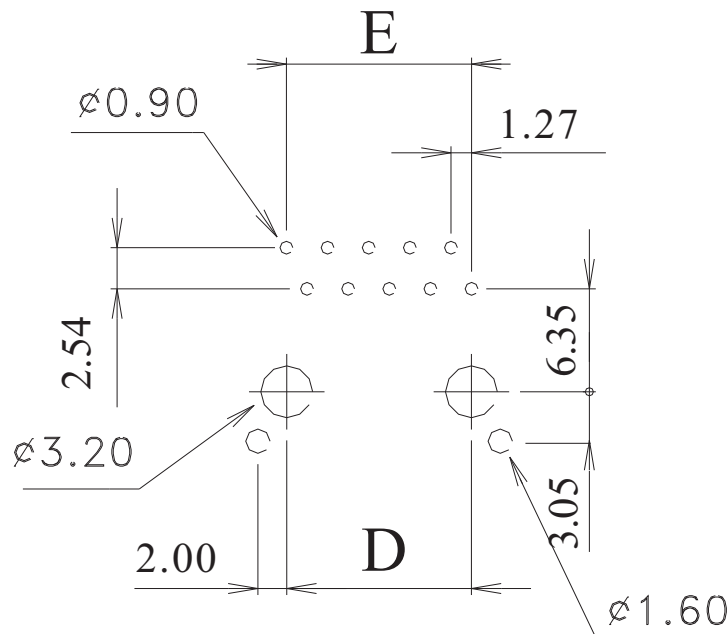
GOLD PLATING

1 = 15u	3 = 50u
2 = 30u	4 = 6u

NUMBER OF POSITIONS & CONTACTS

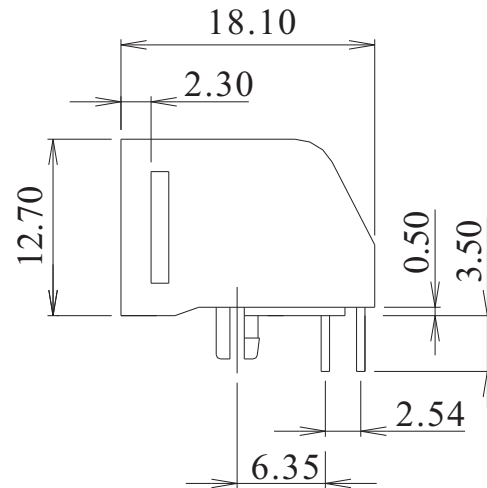
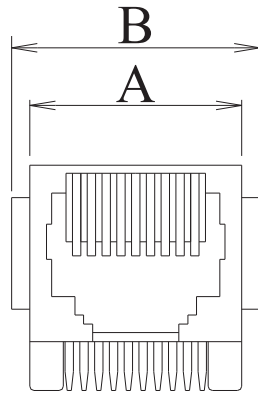
F = 8p8c , G = 10p10c
B = 6p2c , C = 6p4c , D = 6p6c

PCB LAYOUT

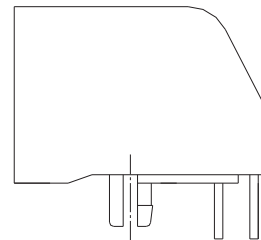
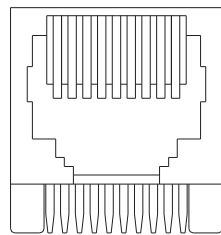


AJ-031 Serie

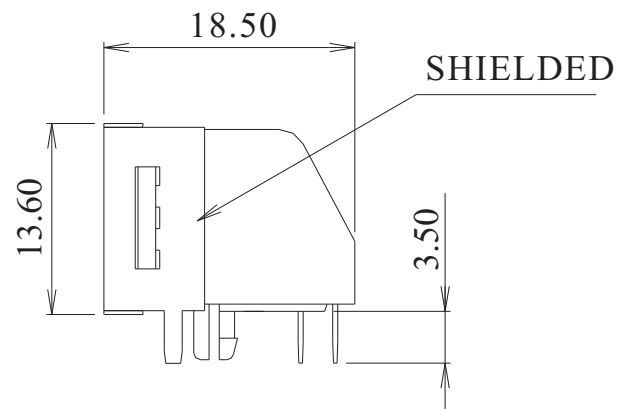
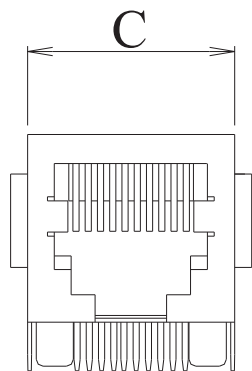
Very Low Profile - SINGLE PORT



Flangeless



Shielded



Number Of positions	A	B	C	D	E
6	13.34	15.70	14.00	10.16	6.35
8	15.20	17.80	16.00	11.43	8.89
10	15.20	17.80	16.00	11.43	11.43

AJ-031 Serie

SMT Mounting Side Entry - SINGLE PORT

Specifications

Material

Housing :	High Strength Thermoplastic Polyester
Contacts :	Phosphor Bronze
Contact Plating :	Gold Over Nickel On Mating Area, Tin-lead Alloy On Tails
Shield :	Copper Alloy, Tin Plated

Electrical

UL & cUL File :	E131820
FCC File :	E149026

Ordering Information

AJ-XXX-X-X-X

NUMBER OF POSITIONS

031-6SMD	6 Positions
031-8SMD	8 Positions
031-10SMD	10 Positions
031SH-6SMD	6P(Shielded)
031SH-8SMD	8P(Shielded)
031SH-10SMD	10P(Shielded)

N-Flangeless

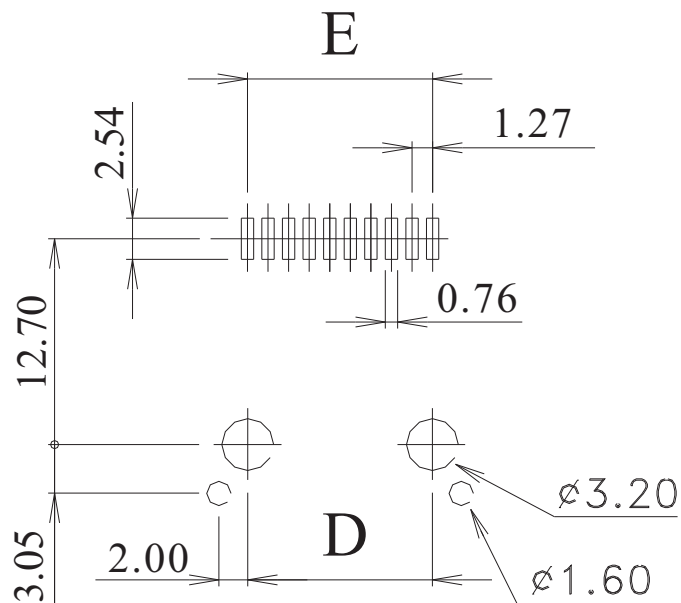
GOLD PLATING

1 = 15u	3 = 50u
2 = 30u	4 = 6 u

NUMBER OF POSITIONS & CONTACTS

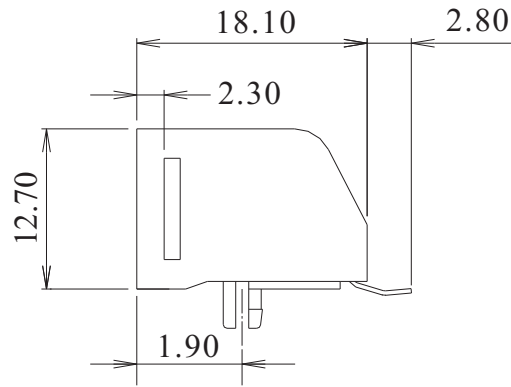
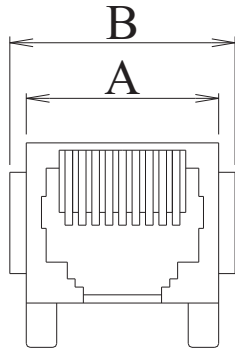
F = 8p8c
B = 6p2c , C = 6p4c , D = 6p6c

PCB LAYOUT

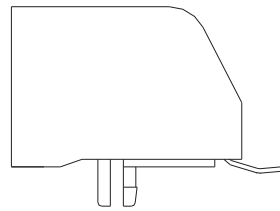
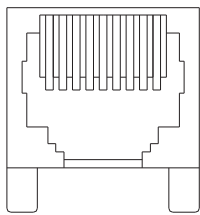


AJ-031 Serie

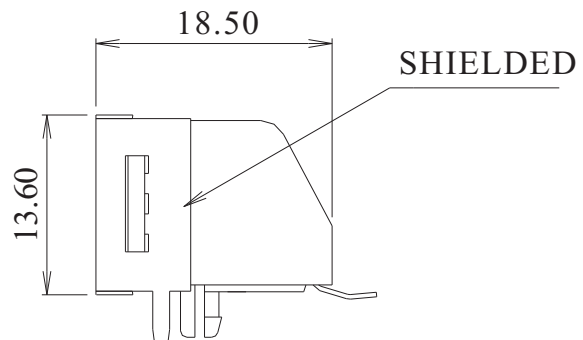
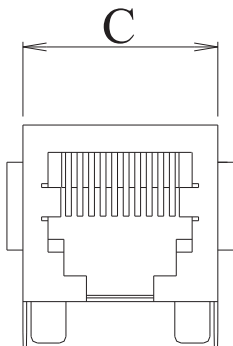
SMT Mounting Side Entry - SINGLE PORT



Flangeless



Shielded



Number Of positions	A	B	C	D	E
6	13.34	15.70	14.00	10.16	6.35
8	15.20	17.80	16.00	11.43	8.89
10	15.20	17.80	16.00	11.43	11.43