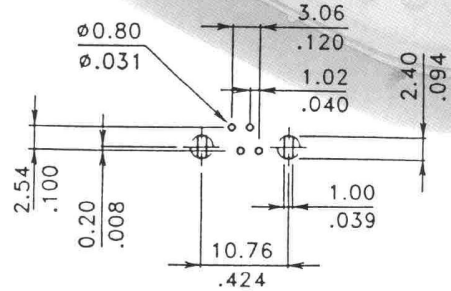
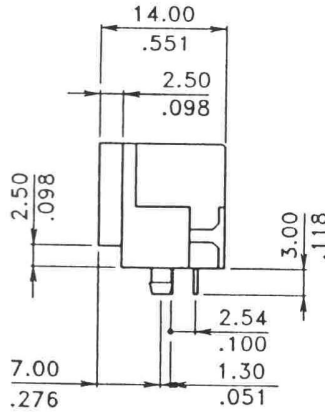
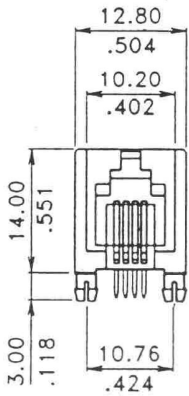


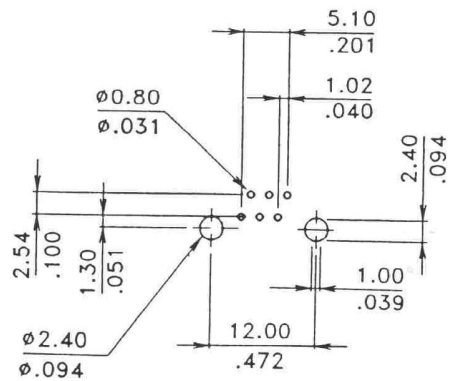
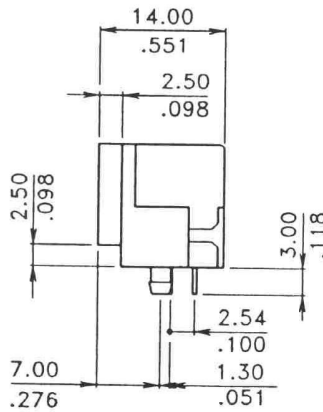
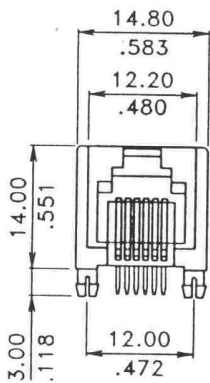
# SIDE ENTRY PCB SOCKET

## 9644 SERIES (AJ-044)



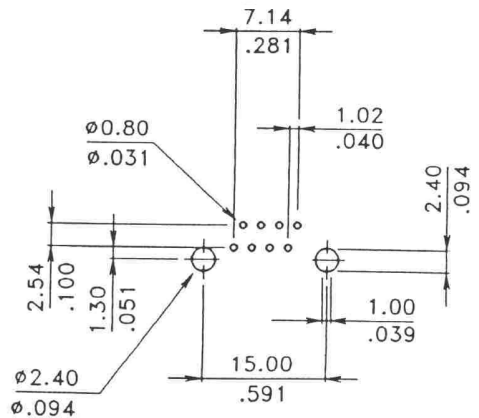
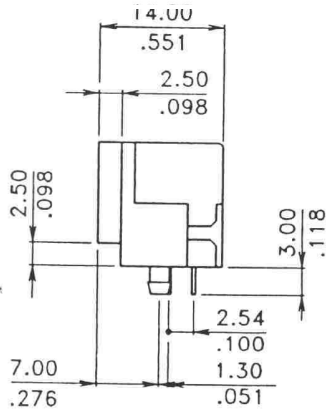
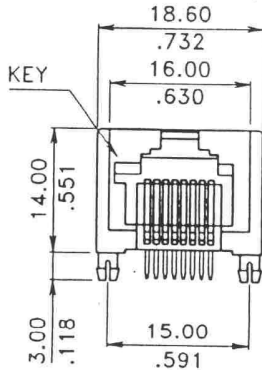
PC Board Layout

## 9646 SERIES (AJ-046)



PC Board Layout

## 9648 SERIES (AJ-048)



PC Board Layout

### MATERIAL

**Housing:** Standard Material  
Glass Filled Polyester UL94V-0  
Standard Color: Black

**Contact:** 0.46mm Diameter Phosphor Bronze  
Gold Plating Over Nickel

### ORDERING NUMBER FORMULA

Port Number	No. of Positions	No. of Contacts	Gold Plated
AJ-044-A-1	4	4	15μ
AJ-044-A-2	4	4	30μ
AJ-044-A-3	4	4	50μ
AJ-044-A-4	4	4	6μ
AJ-046-B-1	6	2	15μ
AJ-046-B-2	6	2	30μ
AJ-046-B-3	6	2	50μ
AJ-046-B-4	6	2	6μ
AJ-046-C-1	6	4	15μ
AJ-046-C-2	6	4	30μ

Port Number	No. of Positions	No. of Contacts	Gold Plated
AJ-046-C-3	6	4	50μ
AJ-046-C-4	6	4	6μ
AJ-046-D-1	6	6	15μ
AJ-046-D-2	6	6	30μ
AJ-046-D-3	6	6	50μ
AJ-046-D-4	6	6	6μ
AJ-048-F-1	8	8	15μ
AJ-048-F-2	8	8	30μ
AJ-048-F-3	8	8	50μ
AJ-048-F-4	8	8	6μ