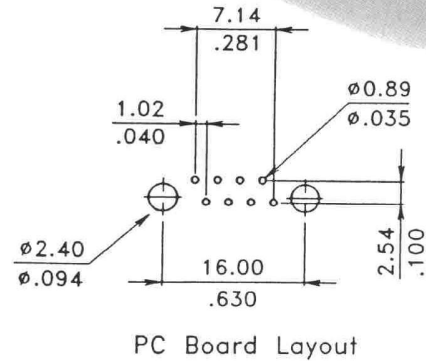
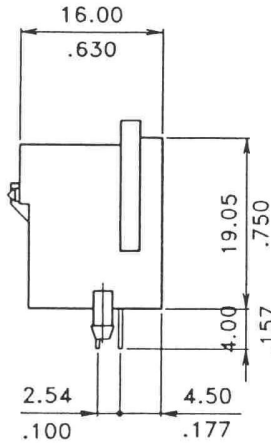
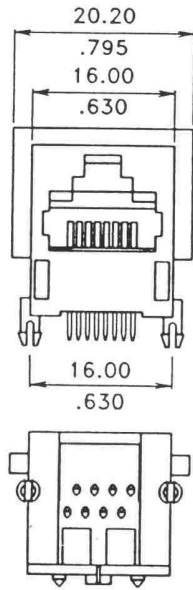
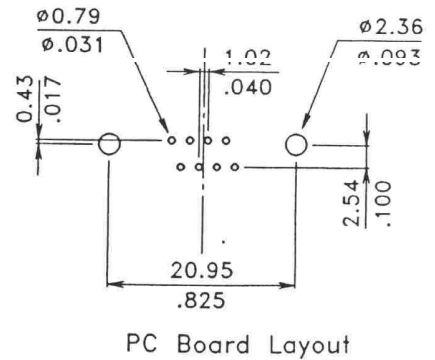
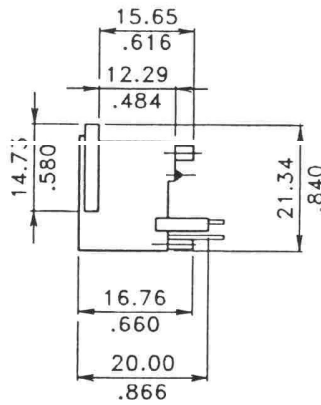
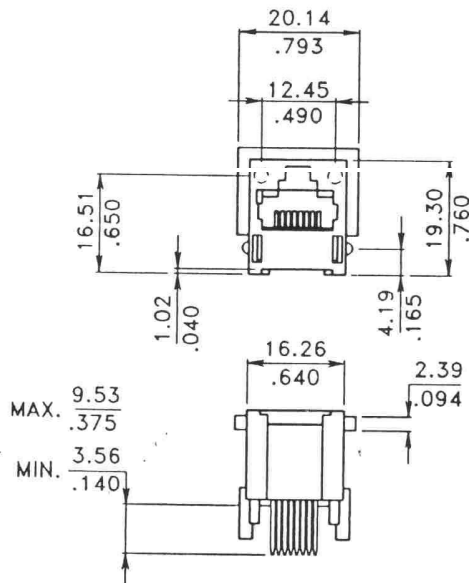


SIDE ENTRY PCB SOCKET



9697 SERIES (AJ-057)

TOP ENTRY PCB SOCKET



9698 SERIES (AJ-058)

MATERIAL

Housing: Standard Material: Glass Filled Polyester UL94V-0
Standard Colour : Black

Contact: 0.46mm Diameter Phosphor Bronze
Gold Plating Over Nickel

ORDERING NUMBER FORMULA

Port Number	No. of Positions	No. of Contacts	Gold Plated
AJ-058-F-1	8	8	15 μ
AJ-058-F-2	8	8	30 μ
AJ-058-F-3	8	8	50 μ
AJ-058-F-4	8	8	6 μ
AJ-057-F-1	8	8	15 μ
AJ-057-F-2	8	8	30 μ
AJ-057-F-3	8	8	50 μ
AJ-507-F-4	8	8	6 μ