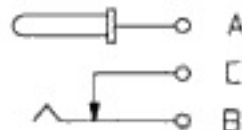
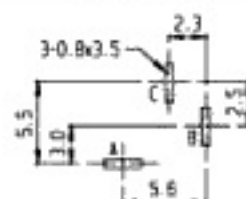


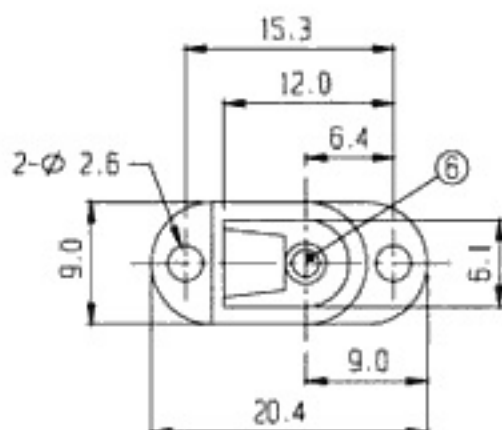
RoHS
Compliance



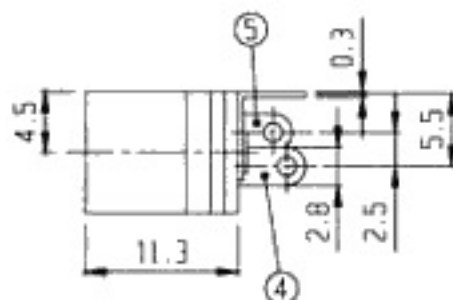
SCHEMATIC




PCB LAYOUT



CENTER PIN DIAMETER
Ø2.0MM/Ø2.5MM



NO.	PART	MATERIAL	QTY	REMARKS
6	CENTER PIN	BRASS	1	Ni PLATED
5	MOVABLE TERMINAL	S U S	1	Ag PLATED
4	TERMINAL	BRASS	1	Ag PLATED
3	FIXED TERMINAL	BRASS	1	Ag PLATED
2	TERMINAL BASE	PHENOL RESIN	2	NATURAL
1	FRAME	P C	1	

ISSUED	SPECIFICATION	TITLE: DC POWER JACK			
	RATING: DC 30V 0.3A	MODEL NO: DC-342			
	CONTACT RESISTANCE: 50mΩ max.				
	INSULATION RESISTANCE: 100MΩ AT 500V DC	TOLERANCE	UNIT: MM	DWN.	<i>hoo</i>
	WITHSTAND VOLTAGE: AC 500V for 1 minute	UP TO 1.0:±0.1	SCALE: 2:1	CHK'D.	<i>hoo</i>
	OPERATION FORCE: REFER ATTACH SPECIFICATION	1.0 TO 10.0:±0.2	VERSION: 2	APPD.	<i>hoo</i>
SWITCHING LIFE: 5K cycles(15-18 cycles/min unloading)	OVER 10.0:±0.3	DRWG NO:			