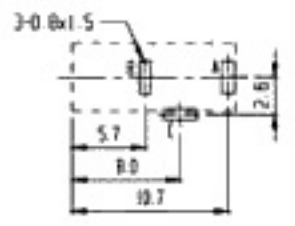


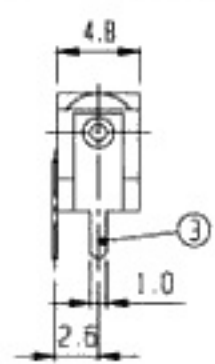
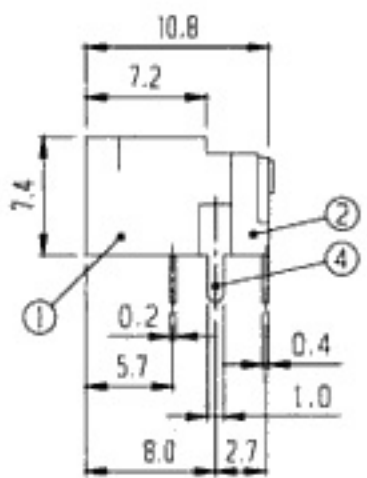
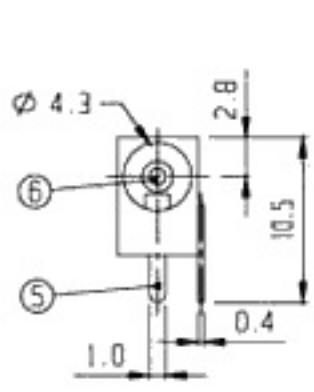
SCHEMATIC



PCB LAYOUT

CENTER PIN DIAMETER  
 $\phi 1.0mm/\phi 1.3mm$

RoHS  
 Compliance



NO.	PART	MATERIAL	QTY	REMARKS
6	CENTER PIN	BRASS	1	Ni PLATED
5	MOVABLE TERMINAL	S U S	1	Ag PLATED
4	PIN TERMINAL	BRASS	1	Ag PLATED
3	FIXED TERMINAL	BRASS	1	Ag PLATED
2	TERMINAL BASE	P O M	1	
1	FRAME	P O M	1	

ISSUED	SPECIFICATION	TITLE: DC POWER JACK		
	RATING: DC 30V 0.3A	MODEL NO: DC-480		
	CONTACT RESISTANCE: 50mΩ max.			
	INSULATION RESISTANCE: 100MΩ AT 500V DC	TOLERANCE	UNIT: MM	DWN.
	WITHSTAND VOLTAGE: AC 500V for 1 minute	UP TO 1.0:±0.1	SCALE: 2:1	CHK'D.
	OPERATION FORCE: REFER ATTACH SPECIFICATION	1.0 TO 10.0:±0.2	VERSION: 2	APPD.
SWITCHING LIFE: 5K cycles(15-18 cycles/min unloading)	OVER 10.0:±0.3	DRWG NO:		