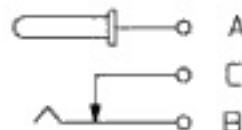
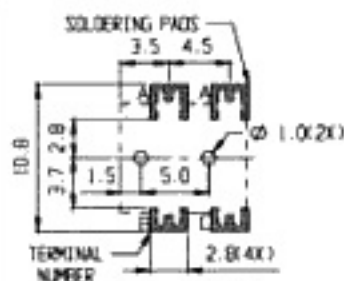


MATING PLUG

RoHS
Compliance

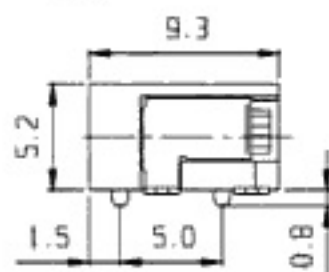
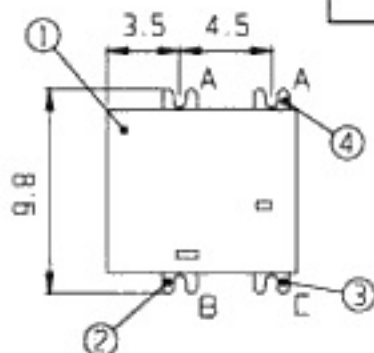
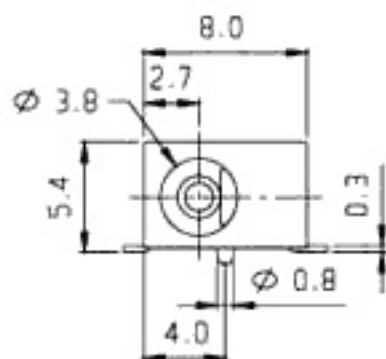


SCHEMATIC



P.C.B. LAYOUT

CENTER PIN DIAMETER
 $\varnothing 1.0\text{MM}/\varnothing 1.3\text{MM}$



5	CENTER PIN	COPPER ALLOY	1	Ag PLATED					
3	TERMINAL	BRASS	1	Ag PLATED	4	TERMINAL	BRASS	1	Ag PLATED
1	FRAME	NYLON 6T	1	BLACK	2	SPRING PLATE	P B S	1	Ag PLATED
NO.	PART	MATERIAL	QTY	REMARKS	NO.	PART	MATERIAL	QTY	REMARKS

ISSUED

SPECIFICATION

TITLE: DC POWER JACK SMD



RATING: DC 30V 0.3A
 CONTACT RESISTANCE: 50mΩ max.
 INSULATION RESISTANCE: 100MΩ AT 500V DC
 WITHSTAND VOLTAGE: AC 500V for 1 minute
 OPERATION FORCE: REFER ATTACH SPECIFICATION
 SWITCHING LIFE: 5,000 cycles min.

MODEL NO: DCM-918

TOLERANCE	UNIT: MM	DWN.	<i>h</i>
UP TO 1.0:±0.1	SCALE: 4:1	CHK'D.	<i>m</i>
1.0 TO 10.0:±0.2	VERSION: 03	APPD.	<i>h</i>
OVER 10.0:±0.3	DRWG NO:		