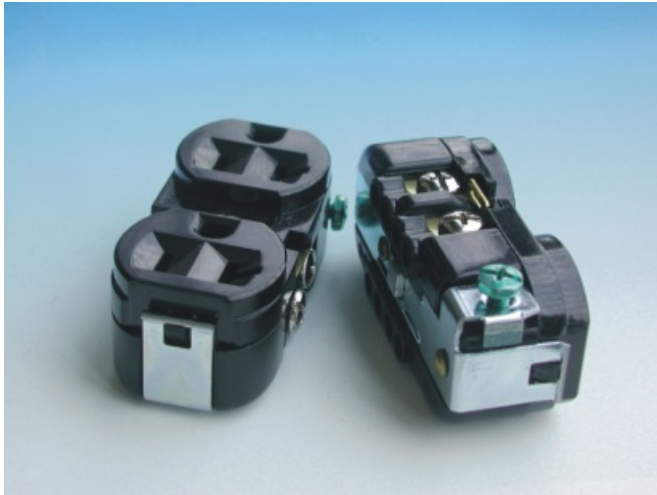
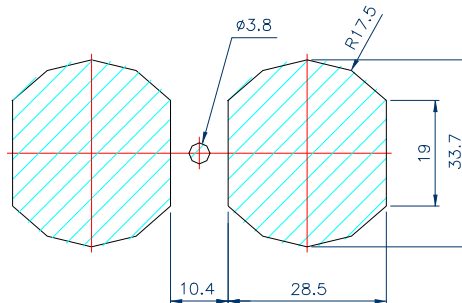
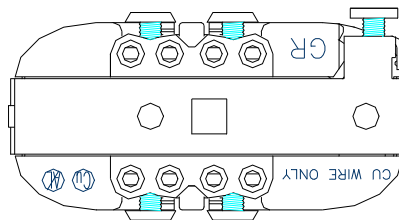
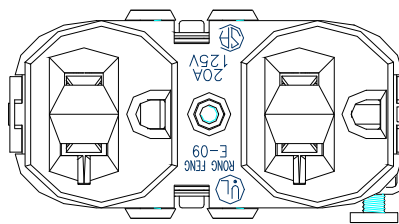
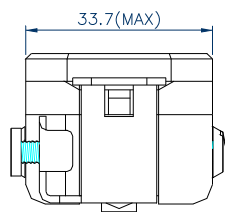


RECEPTACLES SYSTEM



E-09-A8

STANDARD :UL498 5-20R
RATING :20A125V AC
APPROVALS :UL/CSA



Panel cut-out