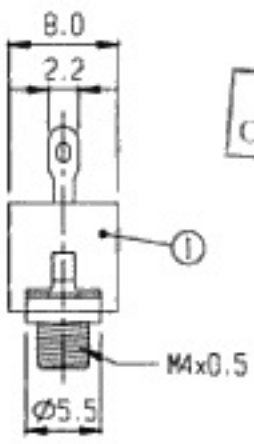
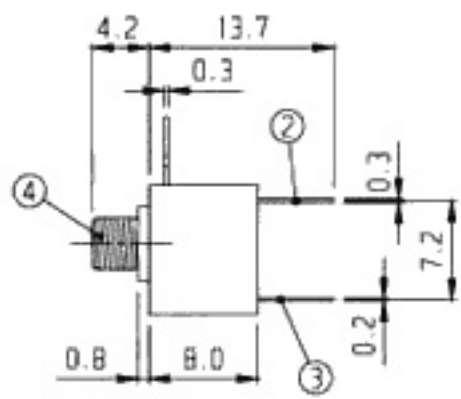
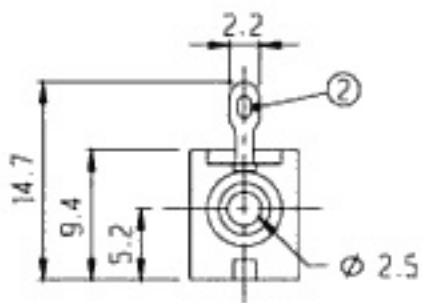
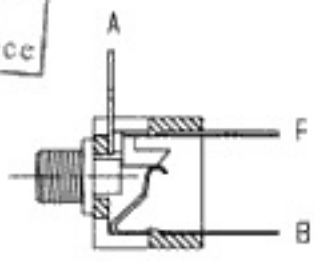


SCHEMATIC



RoHS Compliance



NO.	PART	MATERIAL	QTY	REMARKS
4	SHEATH	BRASS	1	Ni PLATED
3	MOVEABLE TERMINAL	S U S	1	Ag PLATED
2	TERMINAL	BRASS	2	Ag PLATED
1	FRAME	A B S	1	

ISSUED                      SPECIFICATION                      TITLE: MONO TYPE EARPHONE JACK

RATING: DC 30V 0.3A  
 CONTACT RESISTANCE: 50mΩ max.  
 INSULATION RESISTANCE: 100MΩ AT 500V DC  
 WITHSTAND VOLTAGE: AC 500V for 1 minute  
 OPERATION FORCE: REFER ATTACH SPECIFICATION  
 SWITCHING LIFE: 5M cycles (15-18 cycles/min unloading)

MODEL NO: EJ-2501  
 TOLERANCE                      UNIT: MM                      DWN.                      *hoo*  
 UP TO 1.0: ±0.1                      SCALE: 2:1                      CHK'D.                      *mu*  
 1.0 TO 10.0: ±0.2                      VERSION: 01                      APPD.                      *[Signature]*  
 OVER 10.0: ±0.3                      DRWG NO:

