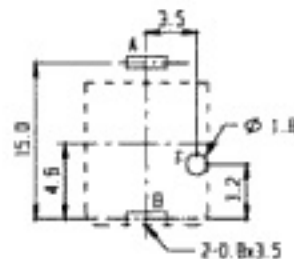
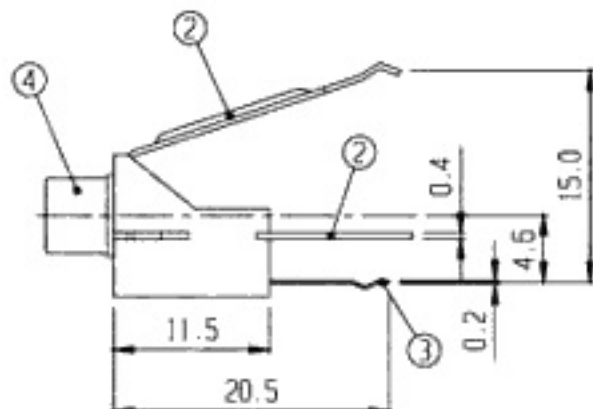
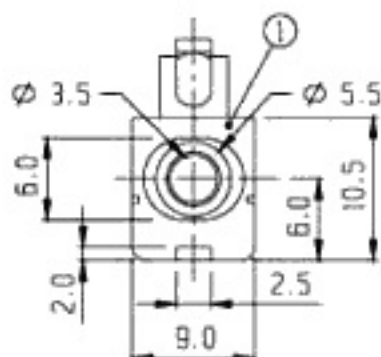


SCHEMATIC



PCB LAYOUT

RoHS
Compliance



NO.	PART	MATERIAL	QTY	REMARKS
4	SHEATH	BRASS	1	Ni PLATED
3	SPRING PLATE	S U S	1	Ag PLATED
2	TERMINAL	BRASS	2	Ag PLATED
1	FRAME	A B S	1	

ISSUED	SPECIFICATION	TITLE: MONO TYPE EARPHONE JACK
--------	---------------	--------------------------------

RATING: DC 30V 0.3A	TOLERANCE	UNIT: MM	DWN.	hwo
CONTACT RESISTANCE: 50mΩ max.				
INSULATION RESISTANCE: 100MΩ AT 500V DC	UP TO 1.0:±0.1	SCALE: 2:1	CHK'D.	m
WITHSTAND VOLTAGE: AC 500V for 1 minute				
OPERATION FORCE: REFER ATTACH SPECIFICATION	1.0 TO 10.0:±0.2	VERSION: 3	APPD.	hwo
SWITCHING LIFE: 5K cycles(15-18 cycles/min unloading)				
	OVER 10.0:±0.3	DRWG NO:		

MODEL NO: EJ-3505R

