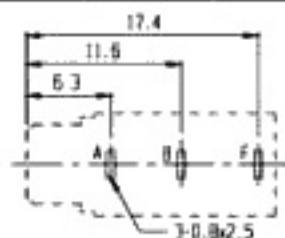
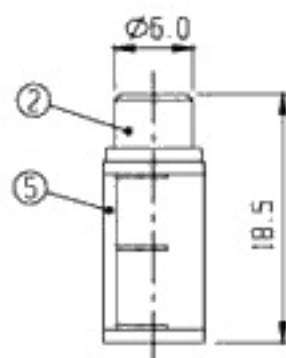
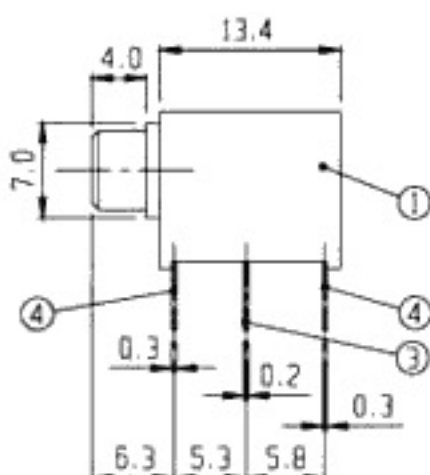
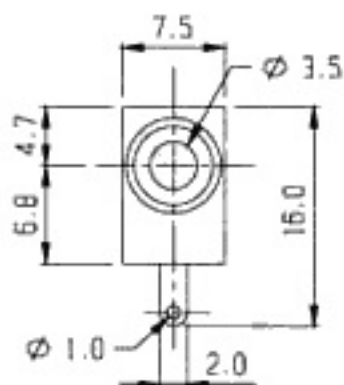


SCHMATIC



PCB LAYOUT



RoHS
Compliance

5	COVER	P	C	1		6	SPRING	STEEL	1		
3	CONTACT	S	U	S	1	Ag PLATED	4	TERMINAL	BRASS	2	Ag PLATED
1	FRAME	P	O	M	1		2	SHEATH	BRASS	1	Ni PLATED
NO.	PART	MATERIAL	QTY	REMARKS		NO.	PART	MATERIAL	QTY	REMARKS	

ISSUED

SPECIFICATION

TITLE: MONO TYPE EARPHONE JACK

RATING: DC 30V 0.3A

CONTACT RESISTANCE: 50mΩ max.

INSULATION RESISTANCE: 100MΩ AT 500V DC

WITHSTAND VOLTAGE: AC 500V for 1 minute

OPERATION FORCE: REFER ATTACH SPECIFICATION

SWITCHING LIFE: 5K cycles (15-18 cycles/min unloading)

MODEL NO: EJ-3516

TOLERANCE

UNIT: MM

DWN.

h

UP TO 1.0:±0.1

SCALE: 2:1

CHK'D.

m

1.0 TO 10.0:±0.2

VERSION: 2

APPD.

h

OVER 10.0:±0.3

DRWG NO:

