



JS-606Q SERIES (D.P Mini Rocker Switch)

SPECIFICATIONS

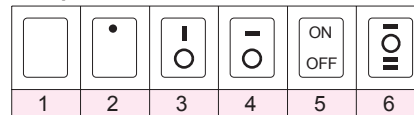
1. Rating: 10A 125 VAC/8A 250 VAC
2. Contact resistance: 20 mΩ(max.)
3. Insulation resistance: DC 500V 100MΩ(Min)
4. Dielectric strength: 1500 VAC/ 1minute
5. Safety approval: 

JS-606Q -  -  -  - 

Circuit		
B1	3P	ON-ON
B2	6P	ON-ON
C1	3P	ON-OFF-ON
C2	6P	
C3	9P	
D1	2P	(ON)-OFF
D2	4P	
E1	2P	ON-(OFF)
E2	4P	
F1	3P	(ON)-ON
F2	6P	
H1	3P	ON-OFF-(ON)
H2	6P	

Color Rocker/Housing	
B	Black
W	White
I	Ivory
H	Gray
S	Slate Gray

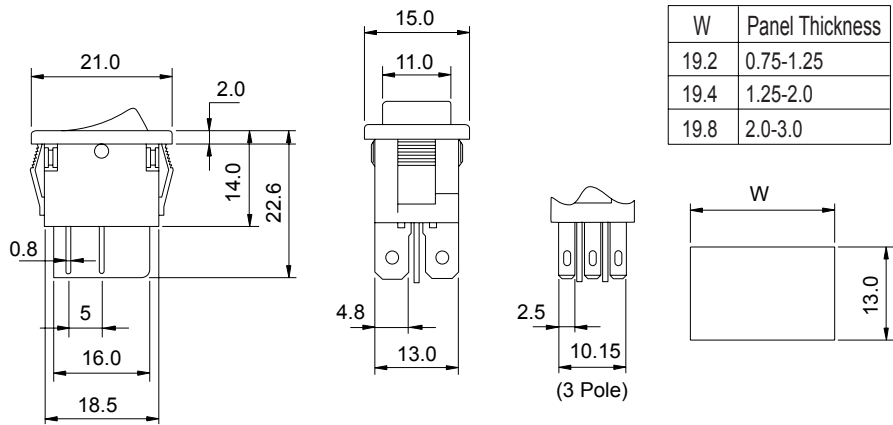
Stamp



RoHS code	
<input type="checkbox"/>	= none
<input type="checkbox"/>	H = RoHS Compliant

()...Momentary

JS-606Q-C2-B/B-6



JS-606Q-E2-S/S-1



JS-606Q-H2-W/W-1



JS-606Q-H2-S/S-1



JS-606Q-C2-H/H-1



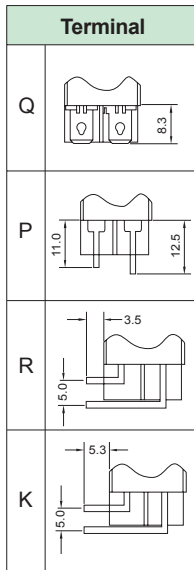
MR-21(RL3-4) SERIES

SPECIFICATIONS

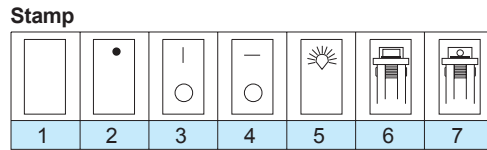
- Rating: □: 10A 125VAC/6A 250 VAC μ T85
T : 16A 125VAC/10A 250VAC
1/3HP 125~250VAC T105
- Contact resistance: 20 m Ω (max.)
- Insulation resistance: DC 500V 100M Ω (Min)
- Dielectric strength: 1500 VAC/ 1minute
- Safety approval:

MR-21 (RL3-4) -

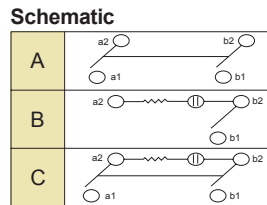
Circuit	
A	4P ON-OFF
B	3P ON-OFF(ill)
C	4P ON-OFF(ill)



Color Rocker/Housing	
B	Black
W	White
R	Red
G	Green
I	Ivory
H	Gray
Y	Yellow

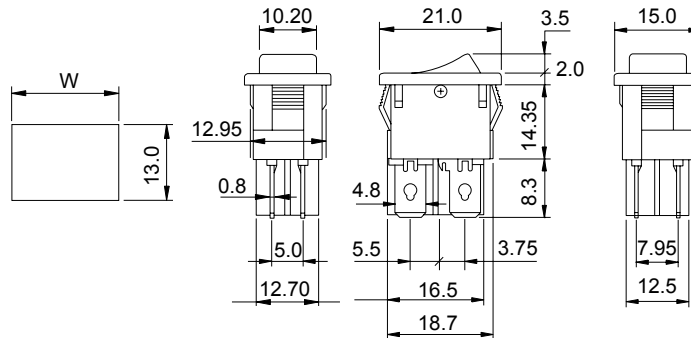


Rating	
	Standard
	16A



RoHS code	
	= none
	= RoHS Compliant

MR-21A-Q-B/B-3



W	Panel Thickness
19.2	0.75-1.25
19.4	1.25-2.0
19.8	2.0-3.0

MR-21C-Q-R/B-1



MR-21C-Q-G/W-1



MR-21A-Q-H/H-3



MR-21A-R-B/B-3



IR 90 Power Rocker Switches

JS-606 (S.P rocker switch) / JS-606P (DP. rocker switch)

SPECIFICATIONS

- Rating: K/ 6A 125VA/3A 250VAC (UL~CSA)
H/ 10A 125VAC/ 6A 250VAC (UL-KEMA)
L/ 5A 125VAC
T/ 16A 125VAC/10A 250VAC T105
- CONTACT RESISTANCE: 20 mΩ(max)
- Insulation resistance: DC 500V 100MΩ(Min)
- Dielectric strength: 1500 VAC/ 1minute.
- Safety approval:         

MATERIALS

- Housing Nylon #66 (UL 94V-2)
- Rocker Nylon #66 (UL 94V-2)
- Terminal: Copper alloy Sn or Ag Plated
- Contact: Ag-cd-O alloy
- Spring: Music wire

(A) 

Model	Circuit	Terminal	Color Rocker/Housing	Stamp	Rating	RoHS code
JS-606	JS-606		B Black	1	K 6A	<input type="checkbox"/> = none H = RoHS Compliant
	A 2P ON-OFF	Q	W White	2	H 10A	
	B 3P ON-ON	S	R Red	3	L 5AL	
	C 3P ON-OFF-ON	SI	G Green	4	T 16A	
	D 2P (ON)-OFF	P	I Ivory	5		
	E 2P ON-(OFF)	PCB	H Gray	6		
	F 3P (ON)-ON	R	S Slate Gray	7		
	I 2P indicator	G□	Y Yellow	8		
	L 4Pwith led	R1□		9		
	AL 3P illuminated	PCC		10		
JS-606P	JS-606P			11		
	A 4P ON-OFF			12		
	B 6P ON-ON			13		
	C 6P ON-OFF-ON			14		
	D 4P (ON)-OFF			15		
	E 4P ON-(OFF)			16		
	F 6P (ON)-ON					
	AA 4P double ON-OFF					
	AB 5P ON-OFF ON-ON					
	BB 6P double ON-ON					
AI 4P ON-OFF with INDICATOR						

Stamp:
Apply for JS-606

1	2	3	4	5	6	7	8	9	10	11	12	13	14	15	16

Apply for JS-606P

1	2	3	4	5	6	7	8	9	10	11	12	13

INDEX

TOGGLE

ROCKER

SLIDE

PUSH BUTTON

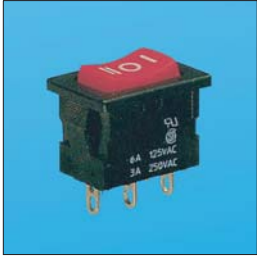
DIP

TACT

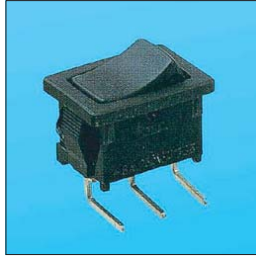
IR 90 Power Rocker Switches

JS-606

JS-606C-S-R/B-6-□



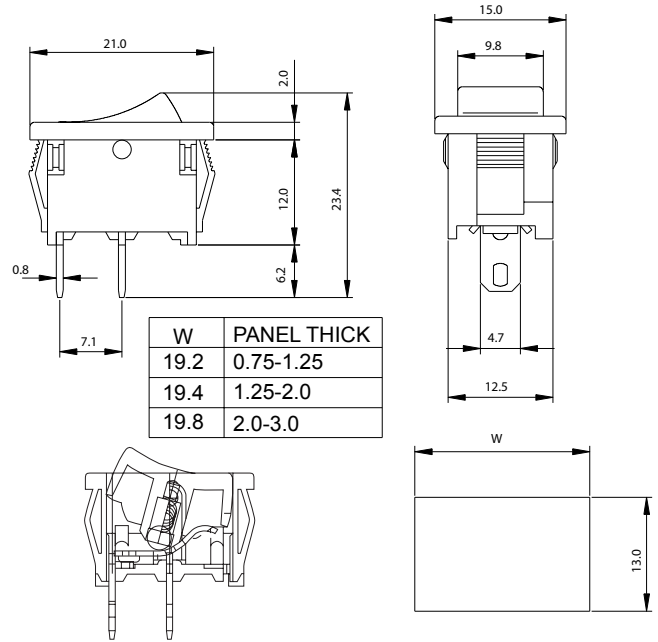
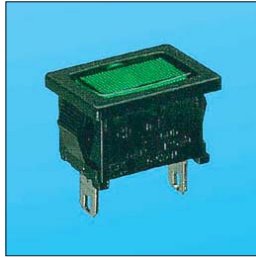
JS-606B-R-B/B-1-□



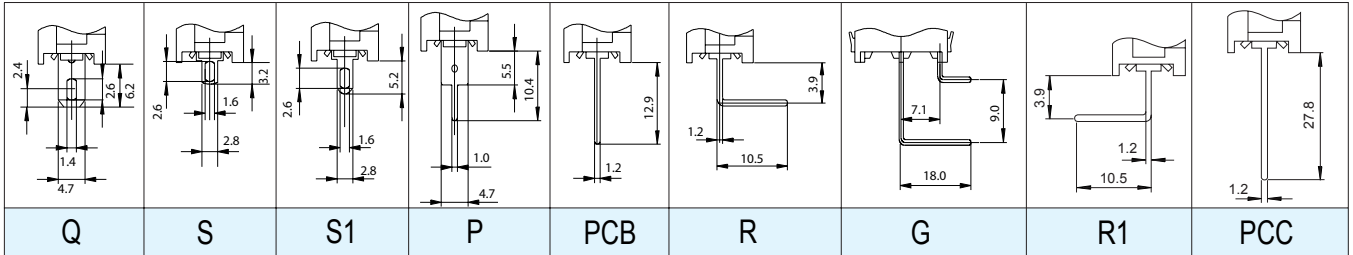
JS-606A-G-B/B-3-□



JS-606I-Q-G/B-1-□

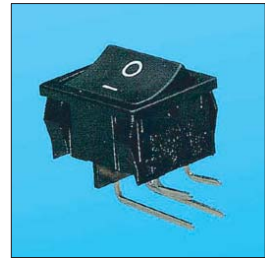


TERMINAL OPTION:

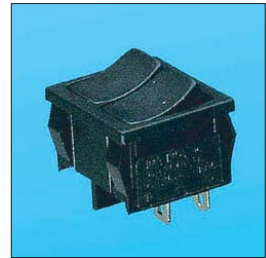


JS-606P

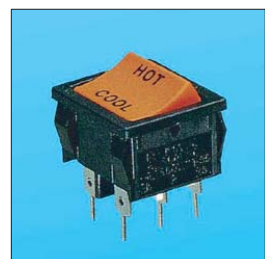
JS-606PA-R-B/B-4-□



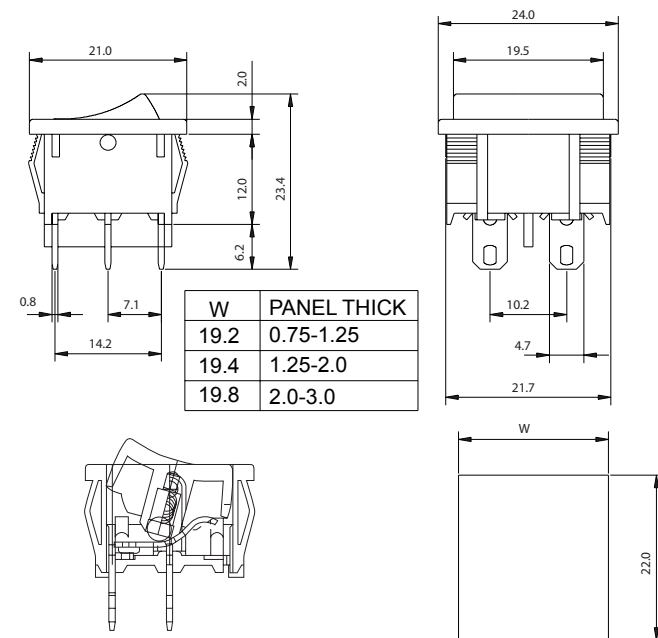
JS-606PAA-Q-B/B-1-□



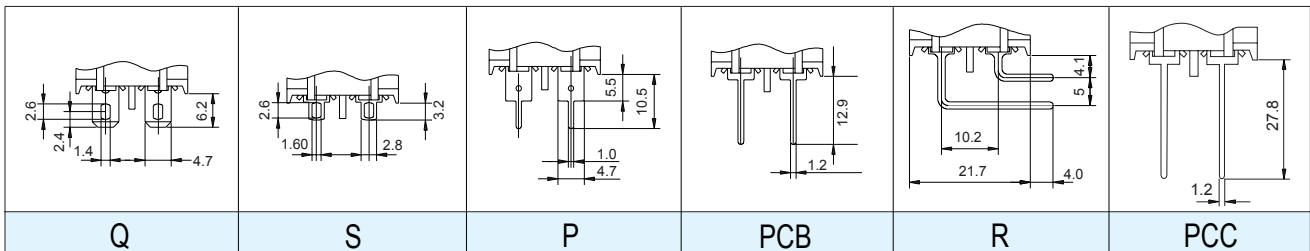
JS-606PB-P-O/B-6-□



JA-606PAI-Q-R/B-2-□




TERMINAL OPTION:



IR 90 Power Rocker Switches

JS-608 SERIES

SPECIFICATIONS

- Rating: 10A 125/250 VAC
16A 250 VAC
- Contact resistance: 20 mΩ(max.)
- Insulation resistance: DC 500V 100MM(Min)
- Dielectric strength: 1500 VAC/ 1minute
- Safety approval: 

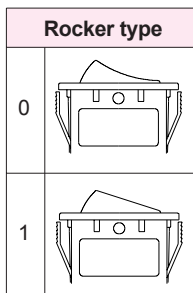
MATERIALS

- Housing Nylon #66 UL 94V-2
- Rocker: Nylon #66UL 94V-2
- Terminal: Copper alloy Sn or Ag Plated
- Contact: Ag-cd-O alloy
- Spring: Music wire

JS-608 - 

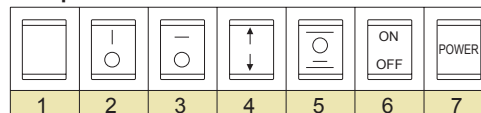
Mounting hole	
R	22x28m/m
F	22x30m/m

Circuit	
A	4P ON-OFF
B	6P ON-ON
C	6P ON-OFF-ON
D	4P (ON)-OFF
F	6P (ON)-ON
G	6P (ON)-OFF-(ON)
H	6P ON-OFF-(ON)
AL	4P illuminated
BL	6P illuminated



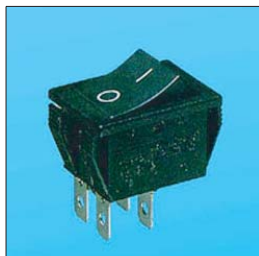
Color Rocker/Housing	
B	Black
W	White
R	Red
I	Ivory
G	Green
H	Gray
Y	Yellow

Stamp



RoHS code	
<input type="checkbox"/>	= none
<input type="checkbox"/>	H = RoHS Compliant

JS-608RA-O-B/ B-2



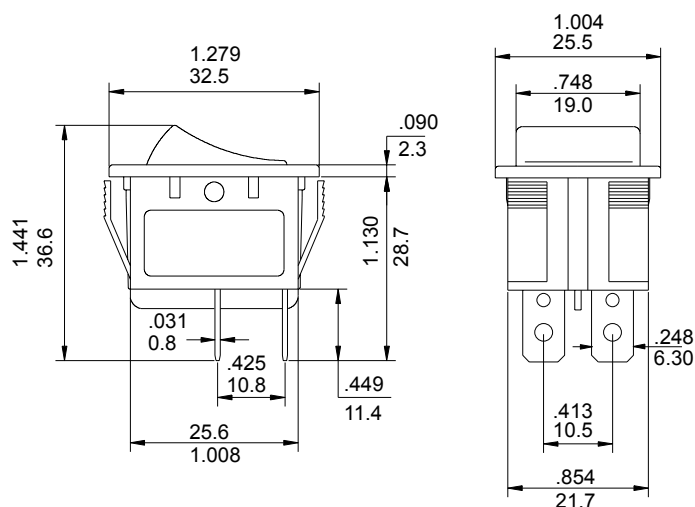
JS-608FG-O-R/ W-4



JS-608RAL-O-R/ W-2



JS-608FBL-1-Y/ W-2



R	W	PANEL THICKNESS	F	W	PANEL THICKNESS
	28.0	0.75~1.25		30.0	0.75~1.25
	28.2	1.25~2.0		30.2	1.25~2.0
	28.5	2.0~3.0		30.5	2.0~3.0

