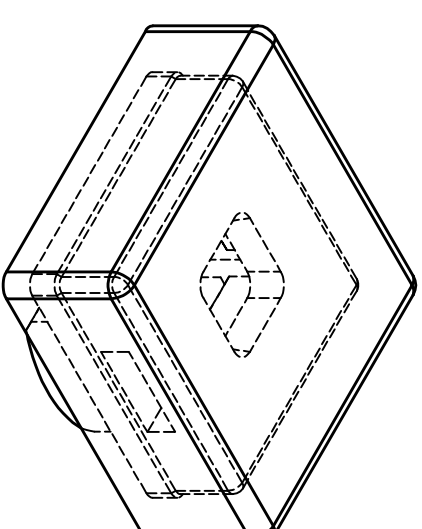
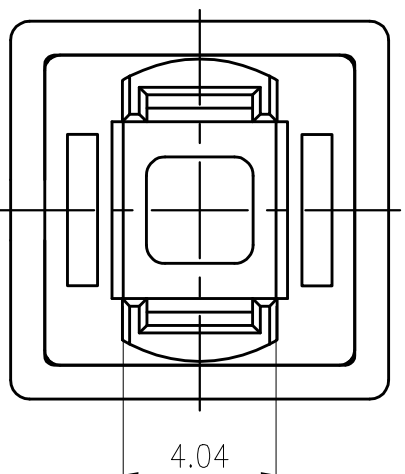
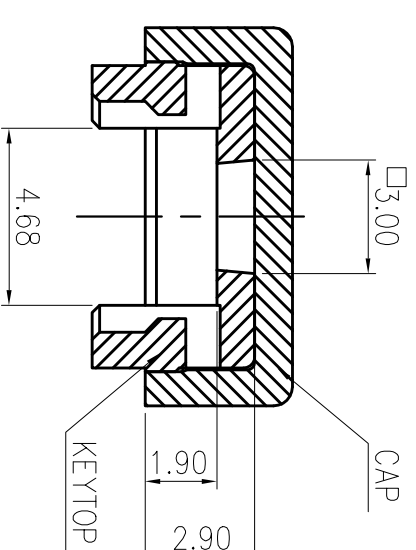
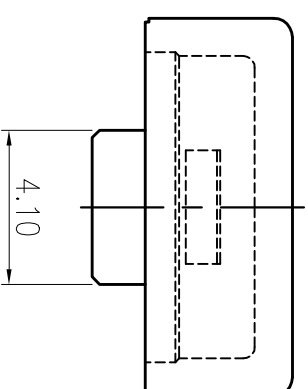
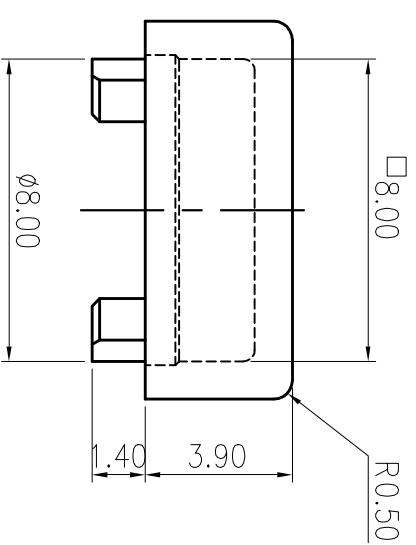
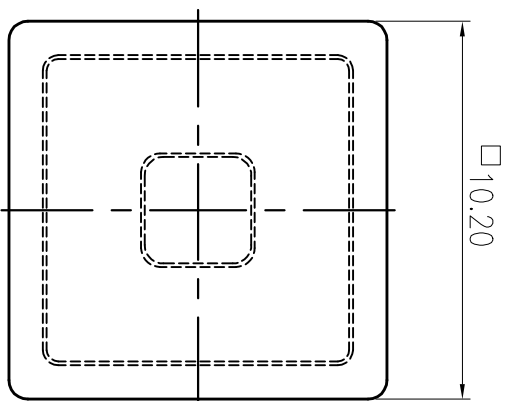


1 2 3 4 5 6 7 8 9 10



| PART NO. | COLOR | |
|----------|-------|--------|
| | CAP | KEYTOP |
| KTL-SAY | CLEAR | YELLOW |
| KTL-SAB | CLEAR | BLUE |
| KTL-SAR | CLEAR | RED |
| KTL-SAI | CLEAR | IVOLY |
| KTL-SAK | CLEAR | BLACK |
| KTL-SAG | CLEAR | GREEN |
| KTL-SAS | CLEAR | SALMON |

NOTE:
 1. ALL DIMENSIONS ARE IN MILLIMETERS.
 BRACKETED DIMENSIONS ARE IN INCHES.
 2. GENERAL TOLERANCES ±0.3mm

| ZONE | REV. | DESCRIPTION | DATE | APPD. |
|------|------|-------------|------|-------|
| A | A | DWG.REL. | | |

| | | |
|---------|------------|------------|
| APPD: | QTY: | PART NAME: |
| CHKD: | SCALE: 5/1 | CAP |
| DWG: | REV: A | DWG NO: |
| DESIGN: | UNITS: mm | KTL-SA |
| | | MAT L: |
| | | FINISH: |