

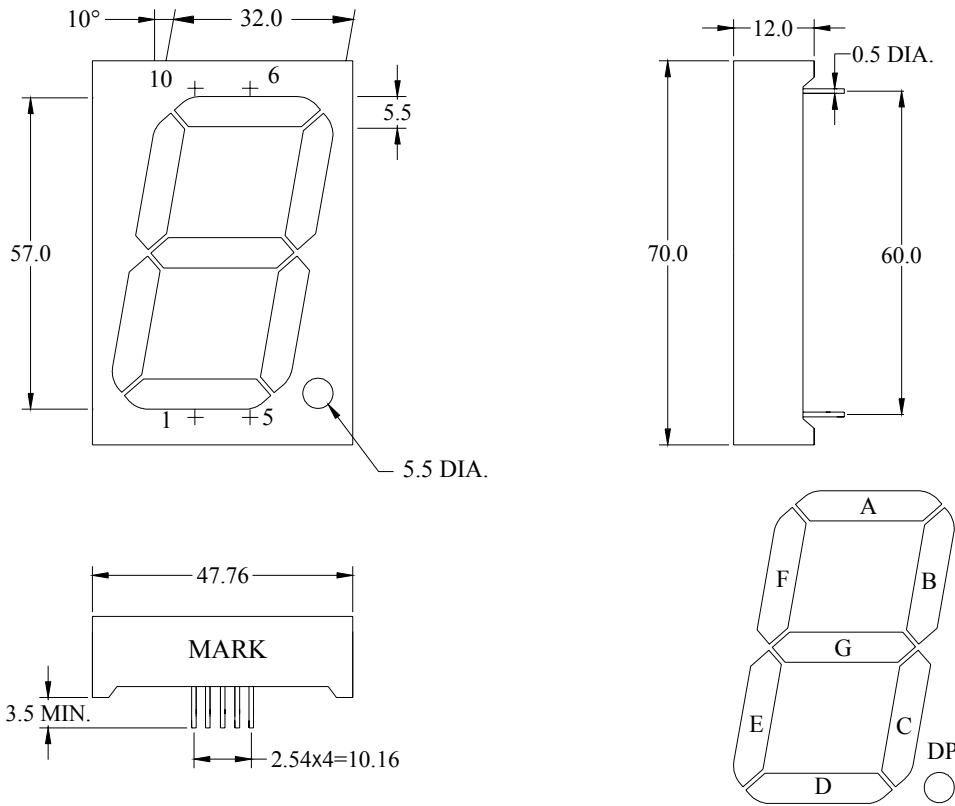
SPECIFICATION

*PART NO. : LA(C) 2371-41-M1 EWRN
2.3"(57.0mm)SINGLE DIGIT DISPLAY*



Approved by	Checked by	Prepared by
<i>Sam</i>	<i>Jimmy</i>	<i>Danny</i>

Dimensions

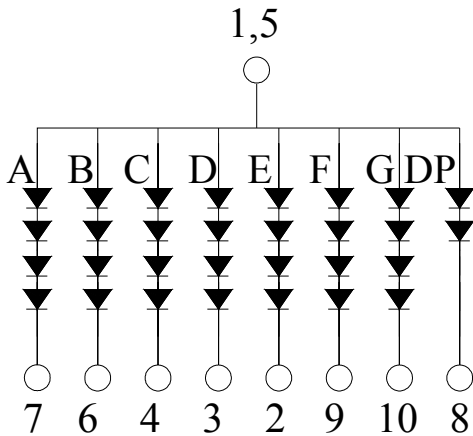


Notes:

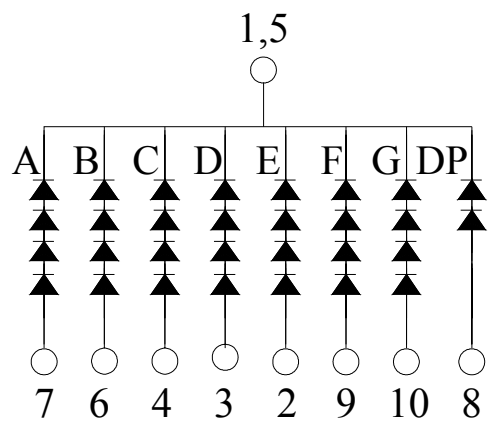
1. THE SLPE ANGLE OF ANY PIN MAY BE $\pm 5.0^\circ$ MAX.
2. ALL DIMENSIONS ARE IN mm, TOLERANCE IS ± 0.25 mm UNLESS OTHERWISE NOTED.

Internal Circuit Diagram

LA2371-41-M1



LC2371-41-M1



LA(C)2371-41-M12.3" SINGLE DIGIT
DISPLAY**Description**

Part No.	LED Chip		Face Color	
	Material	Emitting Color	Surface	Segments
LA2371-41-M1 EWRN	AlGaAs/GaAs	Super Red	Grey	White
LC2371-41-M1 EWRN	AlGaAs/GaAs	Super Red	Grey	White

Absolute Maximum Ratings at Ta=25 °C

Parameter	Symbol		Rating	Unit
Power Dissipation Per Segment	PD	DP	132	mW
		SEG	264	
Pulse Current(1/10Duty Cycle,0.1ms Pulse Width.)Per Chip	IFP		100	mA
Forward Current Per Chip	IF		30	mA
Reverse (Leakage)Current Per Chip	Ir		100	uA
Reverse Voltage Per Chip	VR		4	V
Operating Temperature Range	Topr.		-25 to +85	°C
Storage Temperature Range	Tstg.		-40 to +100	°C
Lead Soldering Temperature.(1.6mm from seating plane)	Tsol.		260 for 5s MAX.	°C

Electrical and Optical Characteristics:

Parameter	Symbol	Condition	Min.	Typ.	Max.	Unit	
Luminous Intensity Per Segment	Iv	If=10mA/seg.	8.0	15.0		mcd	
Forward Voltage	Vf	DP	If=20mA/seg.		3.6	4.4	V
		SEG	If=20mA/seg.		7.2	8.8	
Peak Wavelength	λP	If=20mA/seg.		660		nm	
Dominant Wavelength	λD	If=20mA/seg.		643		nm	
Reverse Current Per Chip (Leakage Current Per Chip)	Ir	Vr=4V			100	μA	
Spectrum Line Halfwidth	$\Delta\lambda$	If=20mA/seg.		20		nm	
Response Time	T	-----		250		ns	

Typical Electrical/Optical Characteristic Curves
(25°C Ambient Temperature Unless Otherwise Noted)

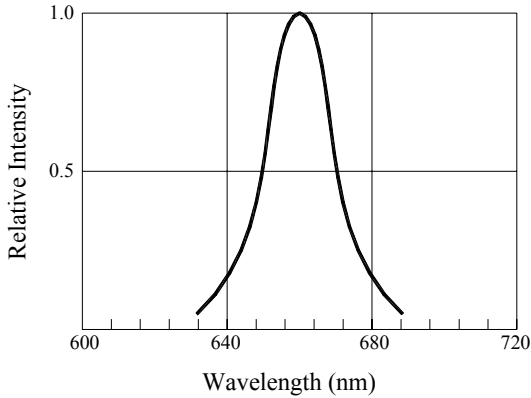


Fig.1 RELATIVE INTENSITY VS. WAVELENGTH

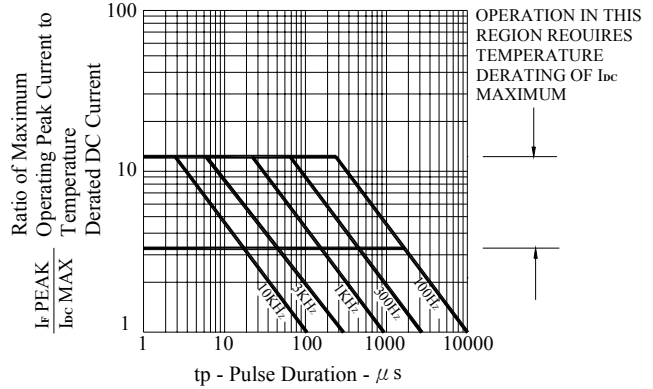


Fig.2 MAXIMUM TOLERABLE PEAK CURRENT VS. PULSE DURATION

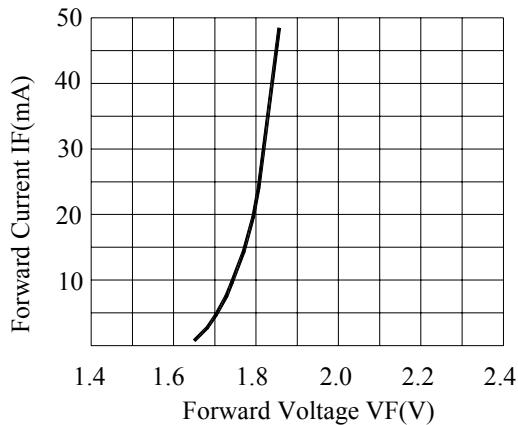


Fig.3 FORWARD CURRENT VS. FORWARD VOLTAGE PER CHIP

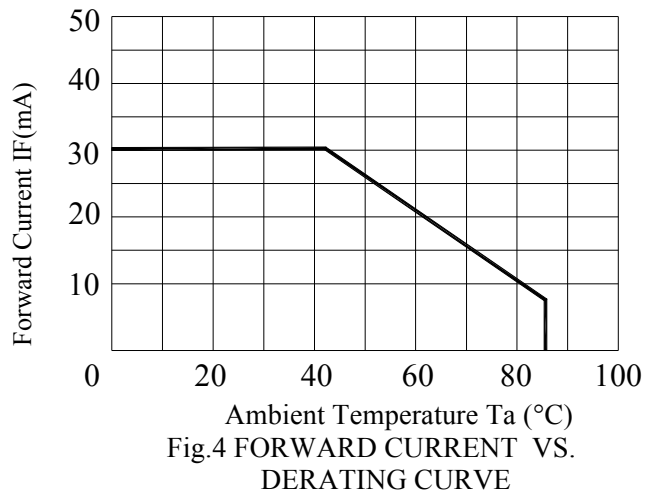


Fig.4 FORWARD CURRENT VS. DERATING CURVE

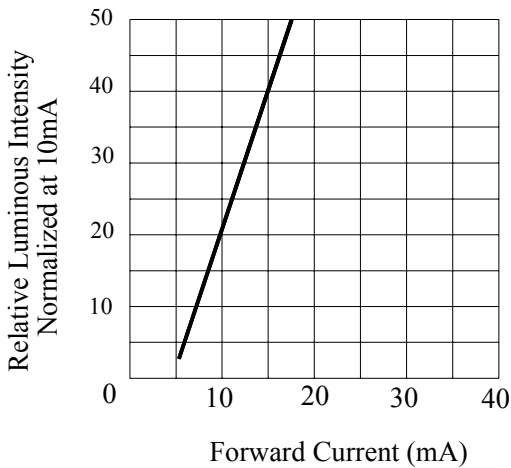


Fig.5 RELATIVE LUMINOUS INTENSITY VS. FORWARD CURRENT

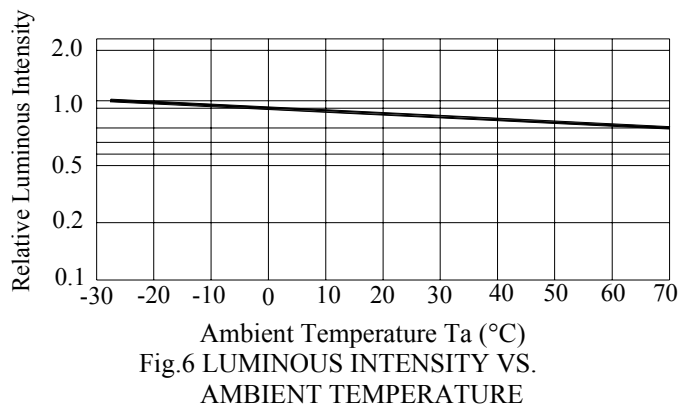


Fig.6 LUMINOUS INTENSITY VS. AMBIENT TEMPERATURE

Precautions in Use:

PLEASE PAY SPECIAL ATTENTION TO THE NEXT POINT TO INCORPORATE OPTO DEVICE TO HIGH RELIABILITY

1. Do not bend the lead. Bending leads could cause breakage of leads or the degradation of the chip.
When bending is unavoidable, strictly follow the cautionary instruction below.
 - (1) Bend the leads before soldering.
 - (2) Bending a lead must be done by fixing a lead tightly and applying no stress on the resin part.
 - (3) The lead bending point must be more than 1.6mm away from the edge or the resin part.
 - (4) When a pin is tested for its endurance, bending degree should be 45° and repeated no more than two times.
2. Setting a product by using tool such as a holder should be avoided.
When necessary, no stress should be applied to the resin part and lead to consider dimension tolerance, thermal expansion, thermal contraction of holder, product and circuit board etc.
3. The hole pitch of a circuit board must fit into the lead pitch of products.
4. When soldering, care the followings:
 - (1) Do not heat a product under any stress (i.e.: twist) to leads.
 - (2) Do not heat (for example, by soldering) a product while out side force is applied the resin part.
 - (3) The temperature of a product should not exceed the specified maximum storage temperature.
 - (4) Soldering with PC Board should be conducted with following conditions.
 - (a) For dip soldering
Pre-heating : 90°C Max. for within 60 Sec.
Soldering bath : 260±5°C (Solder Temp.) for within 5 Sec.
 - (b) Soldering iron : 350°C (Soldering iron tip) for within 3 Sec.
5. Flux could corrode the leads. Use flux that contains as little chlorine as possible (RA, RMA, less than 0.2 wt%) and need not be washed way. When, however, washing is necessary, partially wash around the leads, instead of the entire LED, by the following conditions.
Cleaning agent : Methyl Alcohol
Cleaning temp : 45°C MAX.
Cleaning time : 30Sec. MAX.
6. Minimum amount of soldering flux should be used. Soldering flux should be applied only to the pin portion.
7. The following may damage products or LED chips: Attachment or contact of residual flux solvent onto the product surface or to LED chips, or invasion of the same into the product.