

# SPECIFICATION

*PART NO. : LA(C)3941-11 EWAK*  
*0.39"(10.0mm)SINGLE DIGIT DISPLAY*



Approved by

Checked by

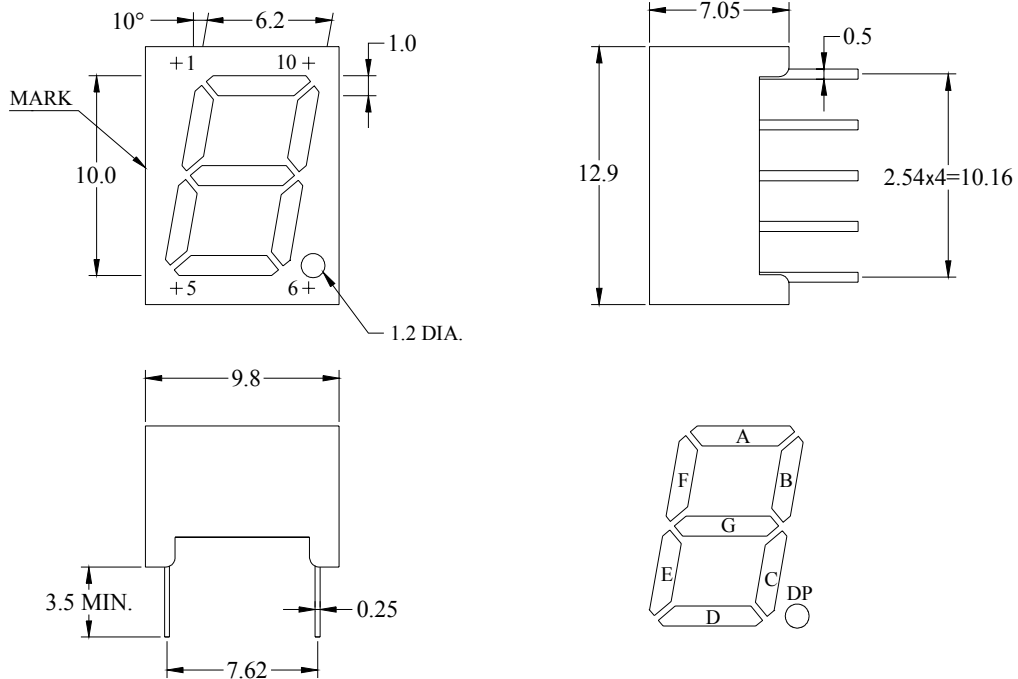
Prepared by

*Sam*

*Jimmy*

*Danny*

**Dimensions**

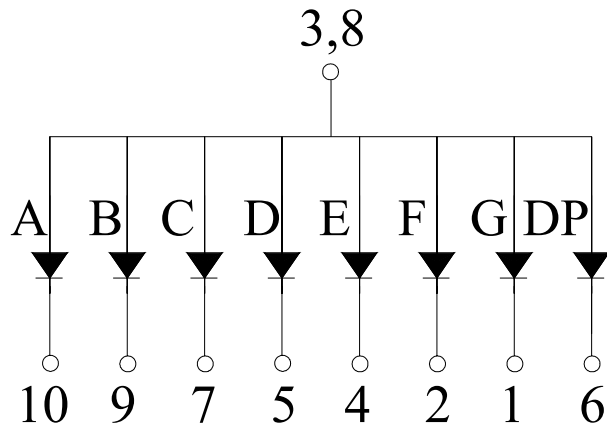


**Notes:**

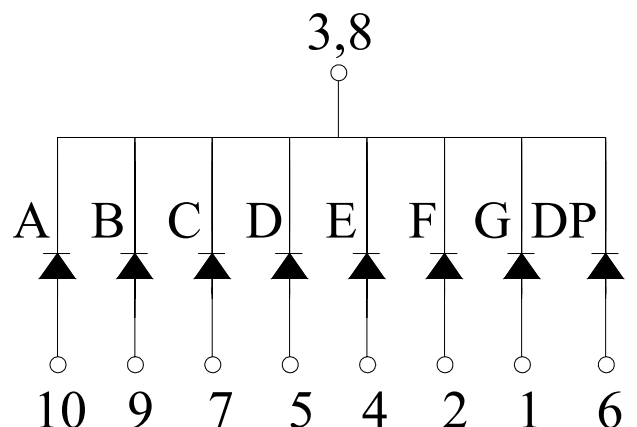
1. THE SLPE ANGLE OF ANY PIN MAY BE  $\pm 5.0^\circ$  MAX.
2. ALL DIMENSIONS ARE IN mm, TOLERANCE IS  $\pm 0.25$ mm UNLESS OTHERWISE NOTED.

**Internal Circuit Diagram**

LA3941-11



LC3941-11



**Description**

| Part No.       | LED Chip  |                | Face Color |          |
|----------------|-----------|----------------|------------|----------|
|                | Material  | Emitting Color | Surface    | Segments |
| LA3941-11 EWAK | GaAsP/GaP | Orange         | Grey       | White    |
| LC3941-11 EWAK | GaAsP/GaP | Orange         | Grey       | White    |

**Absolute Maximum Ratings at Ta=25 °C**

| Parameter  | Symbol | Rating          | Unit |
|--|--------|-----------------|------|
| Power Dissipation Per Segment                            | PD     | 78              | mW   |
| Pulse Current(1/10Duty Cycle,0.1ms Pulse Width.)Per Chip | IFP    | 100             | mA   |
| Forward Current Per Chip                                 | IF     | 30              | mA   |
| Reverse (Leakage)Current Per Chip                        | Ir     | 100             | uA   |
| Reverse Voltage Per Chip                                 | VR     | 5               | V    |
| Operating Temperature Range                              | Topr.  | -25 to +85      | °C   |
| Storage Temperature Range                                | Tstg.  | -40 to +100     | °C   |
| Lead Soldering Temperature.(1.6mm from seating plane)    | Tsol.  | 260 for 5s MAX. | °C   |

**Electrical and Optical Characteristics:**

| Parameter  | Symbol         | Condition                 | Min. | Typ. | Max. | Unit |
|--|----------------|---------------------------|------|------|------|------|
| Luminous Intensity Per Segment                         | I <sub>v</sub> | I <sub>f</sub> =10mA/seg. | 1.0  | 2.6  |      | mcd  |
| Forward Voltage  | V <sub>f</sub> | I <sub>f</sub> =20mA/seg. |      | 2.1  | 2.6  | V    |
| Peak Wavelength  | λ <sub>P</sub> | I <sub>f</sub> =20mA/seg. |      | 635  |      | nm   |
| Dominant Wavelength                                    | λ <sub>D</sub> | I <sub>f</sub> =20mA/seg. |      | 626  |      | nm   |
| Reverse Current Per Chip<br>(Leakage Current Per Chip) | I <sub>r</sub> | V <sub>r</sub> =5V        |      |      | 100  | μA   |
| Spectrum Line Halfwidth                                | Δλ             | I <sub>f</sub> =20mA/seg. |      | 35   |      | nm   |
| Response Time  | T              | -----                     |      | 250  |      | ns   |

**Typical Electrical/Optical Characteristic Curves**  
**(25°C Ambient Temperature Unless Otherwise Noted)**

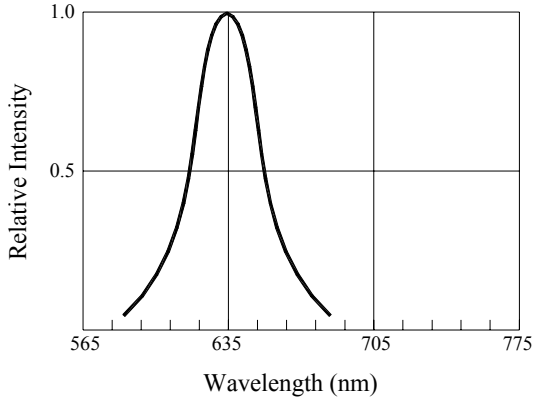


Fig.1 RELATIVE INTENSITY VS. WAVELENGTH

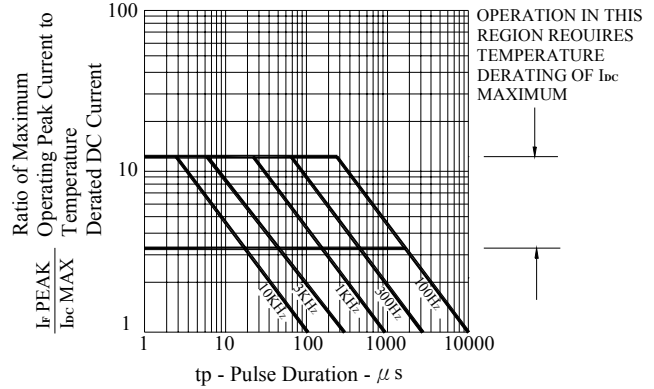


Fig.2 MAXIMUM TOLERABLE PEAK CURRENT VS. PULSE DURATION

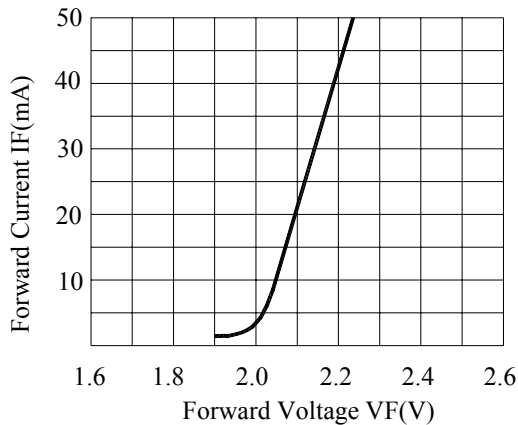


Fig.3 FORWARD CURRENT VS. FORWARD VOLTAGE PER CHIP

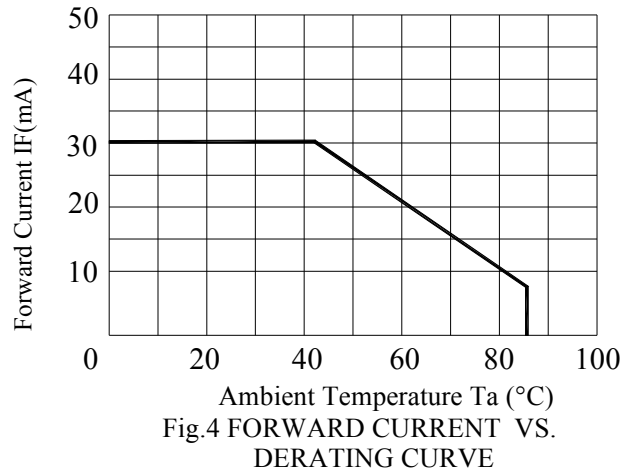


Fig.4 FORWARD CURRENT VS. DERATING CURVE

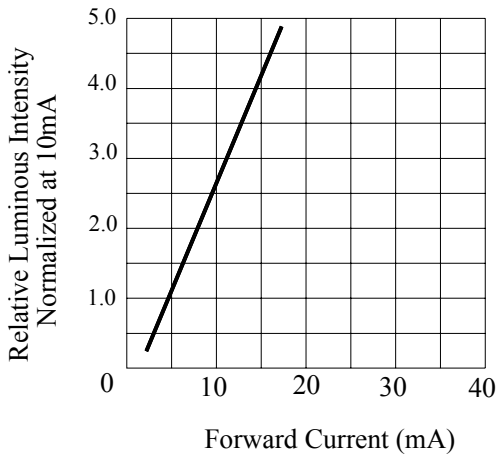


Fig.5 RELATIVE LUMINOUS INTENSITY VS. FORWARD CURRENT

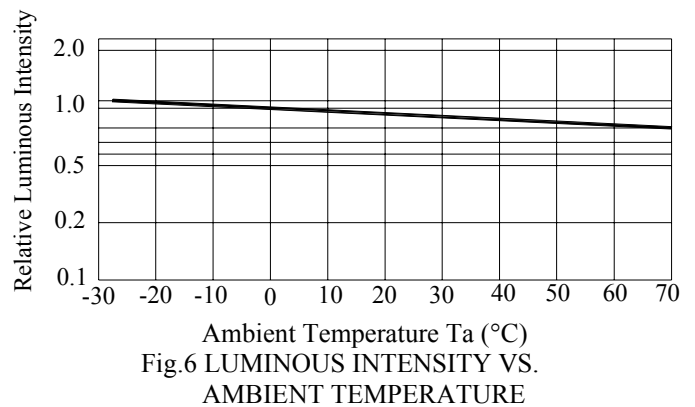


Fig.6 LUMINOUS INTENSITY VS. AMBIENT TEMPERATURE

**Precautions in Use:**

PLEASE PAY SPECIAL ATTENTION TO THE NEXT POINT TO INCORPORATE OPTO DEVICE TO HIGH RELIABILITY

1. Do not bend the lead. Bending leads could cause breakage of leads or the degradation of the chip.  
When bending is unavoidable, strictly follow the cautionary instruction below.
  - (1) Bend the leads before soldering.
  - (2) Bending a lead must be done by fixing a lead tightly and applying no stress on the resin part.
  - (3) The lead bending point must be more than 1.6mm away from the edge or the resin part.
  - (4) When a pin is tested for its endurance, bending degree should be 45° and repeated no more than two times.
  
2. Setting a product by using tool such as a holder should be avoided.  
When necessary, no stress should be applied to the resin part and lead to consider dimension tolerance, thermal expansion, thermal contraction of holder, product and circuit board etc.
  
3. The hole pitch of a circuit board must fit into the lead pitch of products.
  
4. When soldering, care the followings:
  - (1) Do not heat a product under any stress (i.e.: twist) to leads.
  - (2) Do not heat ( for example, by soldering ) a product while out side force is applied the resin part.
  - (3) The temperature of a product should not exceed the specified maximum storage temperature.
  - (4) Soldering with PC Board should be conducted with following conditions.
    - (a) For dip soldering  
Pre-heating : 90°C Max. for within 60 Sec.  
Soldering bath : 260±5°C (Solder Temp.) for within 5 Sec.
    - (b) Soldering iron : 350°C (Soldering iron tip) for within 3 Sec.
  
5. Flux could corrode the leads. Use flux that contains as little chlorine as possible (RA, RMA, less than 0.2 wt%) and need not be washed way. When, however, washing is necessary, partially wash around the leads, instead of the entire LED, by the following conditions.  
Cleaning agent : Methyl Alcohol  
Cleaning temp : 45°C MAX.  
Cleaning time : 30Sec. MAX.
  
6. Minimum amount of soldering flux should be used. Soldering flux should be applied only to the pin portion.
  
7. The following may damage products or LED chips: Attachment or contact of residual flux solvent onto the product surface or to LED chips, or invasion of the same into the product.