

SPECIFICATION

PART NO. : LT641Y-H104

4.8mm ROUND LED LAMP WITH HOLDER



Approved by

Checked by

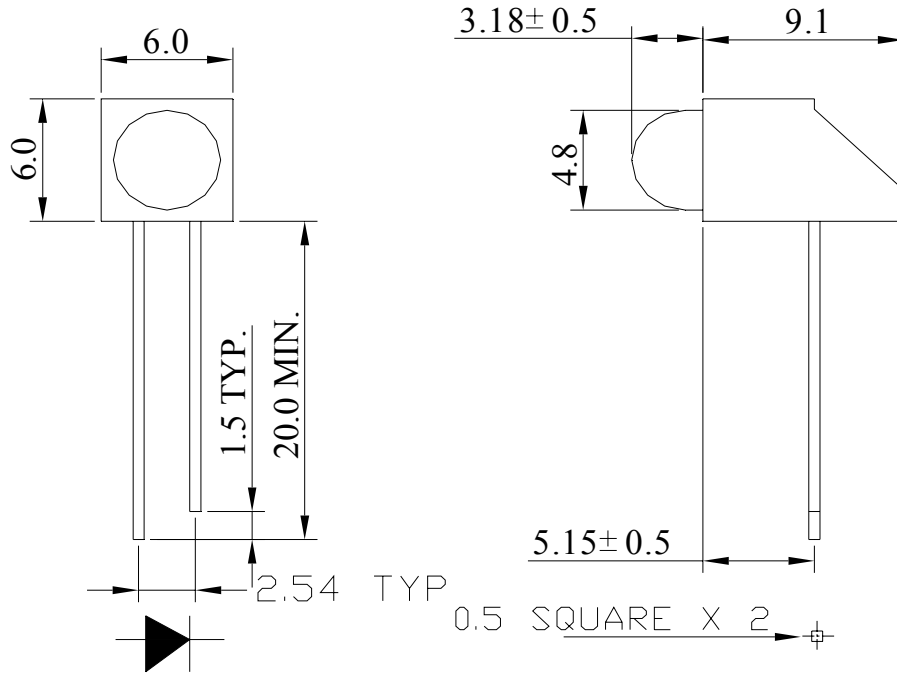
Prepared by

SAN

Sunny

Angel

Package Dimensions



Notes:

1. All dimensions are in millimeters.
2. Tolerance is ±0.25mm unless otherwise noted.
3. The color of holder: Black.

Description

Part No.	LED Chip		Description
	Material	Emitting Color	
LT641Y-H104	GaAsP/GaP	Yellow	Yellow Diffused

LT641Y-H1044.8mm ROUND LED
LAMP WITH HOLDER**Absolute Maximum Ratings at Ta=25 °C**

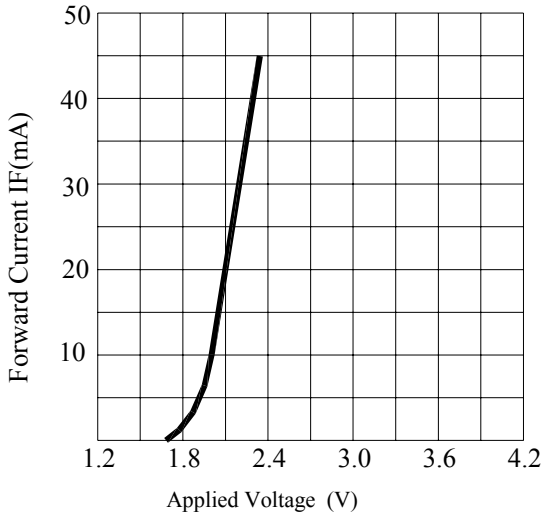
Parameter	Symbol	Rating	Unit
Power Dissipation	PD	78	mW
Reverse Voltage	VR	5	V
D.C. Forward Current	If	30	mA
Peak Current(1/10Duty duty,0.1ms Pulse Width.)	If(Peak)	100	mA
Operating Temperature Range	Topr.	-25 to +85	°C
Storage Temperature Range	Tstg.	-40 to +100	°C

Electrical and Optical Characteristics:

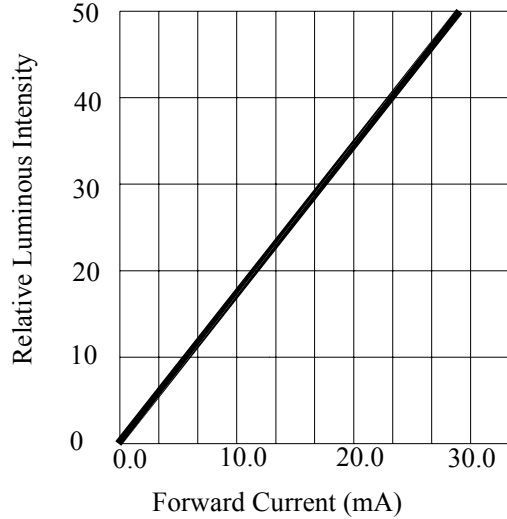
Parameter	Symbol	Condition	Min.	Typ.	Max.	Unit
Luminous Intensity	Iv	If=20mA	20.0	35.0		mcd
Forward Voltage	Vf	If=20mA		2.1	2.6	V
Peak Wavelength	λP	If=20mA		585		nm
Dominant Wavelength	λD	If=20mA		590		nm
Reverse Current	Ir	Vr=5V			100	μA
Viewing Angle	$2\theta 1/2$	If=20mA		38		deg
Spectrum Line Halfwidth	$\Delta\lambda$	If=20mA		35		nm

NOTE:THE DATAS COME FROM THE SPEC. OF LT6431-81

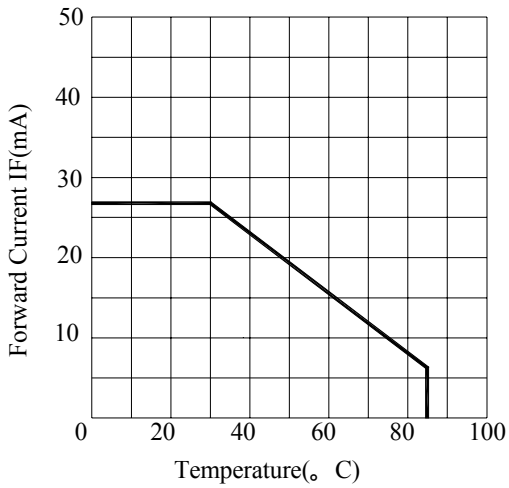
Typical Electrical/Optical Characteristic Curves



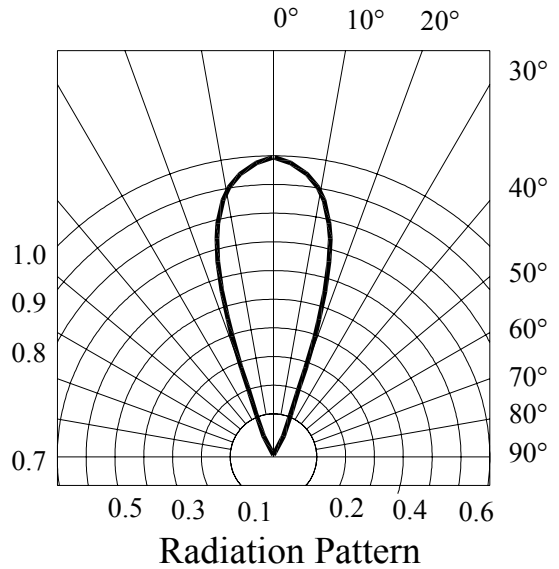
FORWARD CURRENT VS. APPLIED VOLTAGE



FORWARD CURRENT VS. LUMINOUS INTENSITY



FORWARD CURRENT VS. AMBIENT TEMPERATURE



Radiation Pattern

Precautions in Use:

Storage

Recommend storage environment

Temperature : 5 ~30

Soldering

Reflow Soldering

Recommend use of upper and lower heater type reflow furnace.

300°C Max for up to 5 seconds.

Pre-heat is 150°C Max for up to 2 minutes Max.

In case of screen-printing, keep metal mask thickness between 0.2mm and 0.3mm.

Manual Iron Soldering (NOT RECOMMENDED)

Use SN60 solder of solder with silver content.

Use 25W soldering iron at 300°C Max for 5 seconds or less.

Must not touch top resin portion of lamp by heated soldering iron.

Cleaning

Surface condition of this device may change when organic solvents such as trichloroethylene or acetone were applied.

Avoid using organic solvent.

Recommend ultrasonic method 300W Max.

Reflow Temp/Time:

