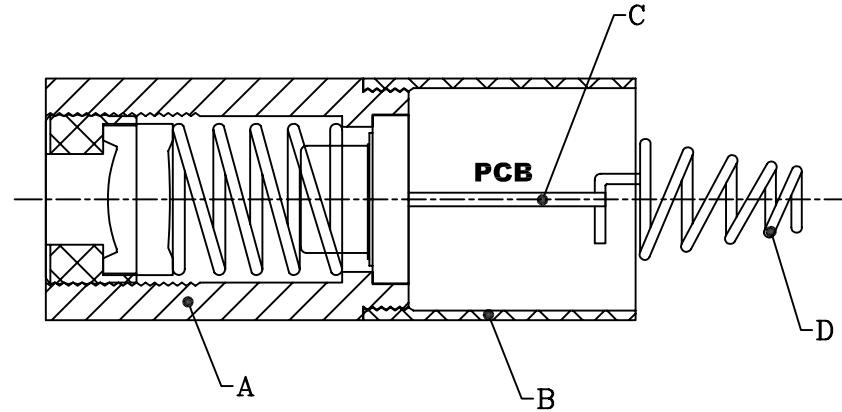


SPECIFICATION:

Item	Mold NO.	A(mm)	B(mm)	C(mm)	D	Wavelength(nm)	Optical Power(mW)	Operating Voltage(V)	Operating Current(mA)	Driver
1	M-5.1-6.5x12-5.7x6.5	φ 6.5x12	-----	5.7x6.5	Spring	635/650	<1/<5	3/4.5/5	<45	APC
2	M-5.1-8x12-5.7x6.5	φ 8x12	-----	5.7x6.5	Spring	635/650	<1/<5	3/4.5/5	<45	APC
3	M-5.1-8x18.5-H-S	φ 8x12	φ 8x9	5.7x6.5	Spring	635/650	<1/<5	3/4.5/5	<45	APC



DIMENSION IN mm [Inch]		產品規範 PROD. SPEC.	
TOLERANCE UNLESS OTHERWISE SPECIFIED			
.X± 0.2	X.*± 2		
.XX± 0.10	.X*±	包裝規範 PKG. SPEC.	案號 FILE NO.
.XXX±			圖號 DWG NO.
名稱 TITLE M-5.1 Series			STANDARD DRAWING
審核 APPROVE	核對 CHECK	製圖 DRAW Jeffer 2005/04/11	角法 PROJ. 張數 SHEET 1/1
		比例 SCALE 4:1	圖紙 SIZE A4 更改 REV. A