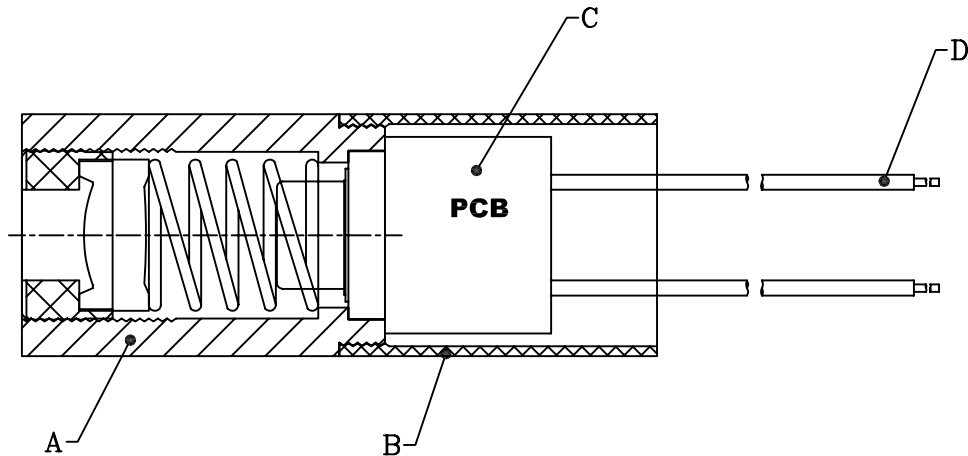


1 2 3 4 5 6 7 8

SPECIFICATION:

Item	Mold NO.	A(mm)	B(mm)	C(mm)	D(mm)	Wavelength(nm)	Optical Power(mW)	Operating Voltage(V)	Operating Current(mA)	Driver
1	M-5.2-6.5x12-6.5x5.5	φ6.5x12	-----	6.5x5.5	50	635/650	<1/<5	3/4.5/5	<45	APC
2	M-5.2-8x12-6.5x5.5	φ8x12	-----	6.5x5.5	50	635/650	<1/<5	3/4.5/5	<45	APC
3	M-5.2-8x12-R	φ8x12	-----	φ8 round PCB	50	635/650	<1/<5	3/4.5/5	<45	APC
4	M-5.2-8x21-H	φ8x12	φ8x11	6.5x5.5	50/170	635/650	<1/<5	3/4.5/5	<45	APC
5	M-5.2-10.5x15-6.5x5.5	φ10.5x15	-----	6.5x5.5	102 terminal	635/650	<1/<5	3/4.5/5	<45	APC



DIMENSION IN mm [Inch]		產品規範 PROD. SPEC.	
TOLERANCE UNLESS OTHERWISE SPECIFIED			
.X± 0.2	X.*± 2		
.XX± 0.10	X.*±	包裝規範 PKG. SPEC.	案號 FILE NO.
.XXX±			圖號 DWG NO.
名稱 TITLE		M-5.2 Series	
		STANDARD DRAWING	
審核 APPROVE	核對 CHECK	製圖 DRAW Jeffer 2005/04/11	角法 PROJ. 張數 SHEET 1/3
		比例 SCALE 4:1	圖紙 SIZE A4 更改 REV. A

1 2 3 4 5 6 7 8