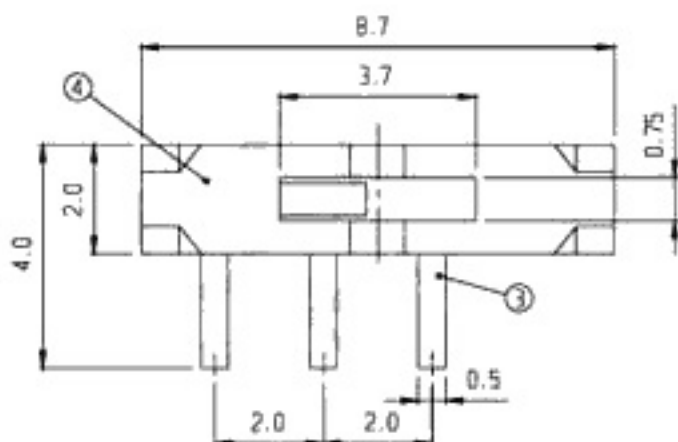
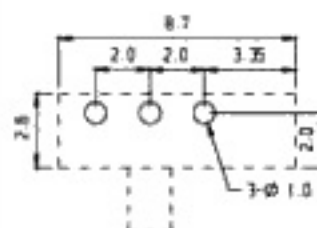


Non-shorting

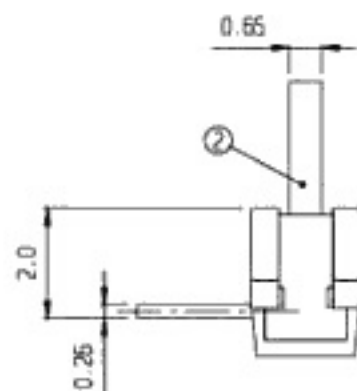
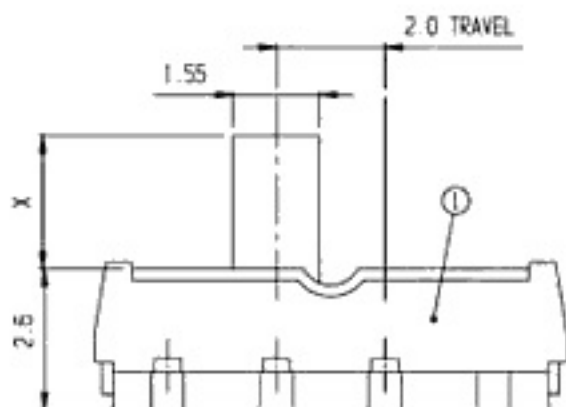


SCHMATIC



P.C.B. LAYOUT

RoHS Compliance



5	CONTACT	P B S	1	Ag PLATED					
3	TERMINAL	BRASS	3	Ag PLATED	4	COVER BOARD	S U S	1	
1	FRAME	NYLON	1		2	KNOB	NYLON	1 TA 2-5	
NO.	PART	MATERIAL	QTY	REMARKS	NO.	PART	MATERIAL	QTY	REMARKS

ISSUED

SPECIFICATION

TITLE: MINIATURE SIDE KNOB SLIDE SWITCH (1P2T)

RATING: DC 12V 0.1A
 CONTACT RESISTANCE: 70mΩ max.
 INSULATION RESISTANCE: 100MΩ AT 500V DC
 WITHSTAND VOLTAGE: AC 100V for 1 minute
 OPERATION FORCE: REFER ATTACH SPECIFICATION
 SWITCHING LIFE: 10K cycles min.

MODEL NO: MSK-12D18-TA

TOLERANCE	UNIT: MM	DWN.	hoo
UP TO 1.0:±0.1	SCALE: 8:1	CHK'D.	hm
1.0 TO 10.0:±0.2	VERSION: 01	APPD.	
OVER 10.0:±0.3	DRWG NO:		

