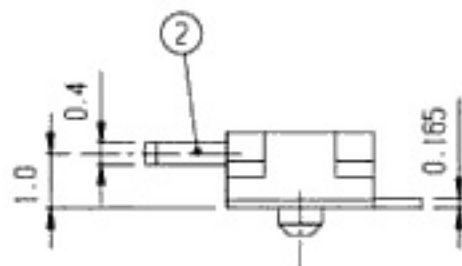
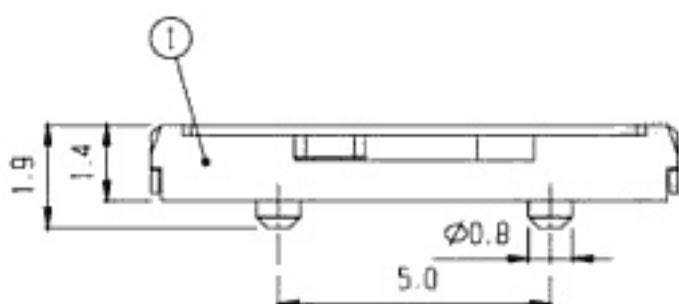


RoHS
Compliance



5	CONTACT	CuBe	1	Ag PLATED					
3	TERMINAL	BRASS	4	Ag PLATED	4	COVER BOARD	S U S	1	
1	FRAME	NYLON 46	1		2	KNOB	NYLON	1 CGA 1-2	
NO.	PART	MATERIAL	QTY	REMARKS	NO.	PART	MATERIAL	QTY	REMARKS

ISSUED

SPECIFICATION

TITLE: MINIATURE
SIDE KNOB SLIDE SWITCH (1P3T)

RATING: DC 12V 0.1A
 CONTACT RESISTANCE: 70mΩ max.
 INSULATION RESISTANCE: 100MΩ AT 500V DC
 WITHSTAND VOLTAGE: AC 100V for 1 minute
 OPERATION FORCE: REFER ATTACH SPECIFICATION
 SWITCHING LIFE: 10K cycles min.

MODEL NO: MSK-13C01 (CGA)

TOLERANCE	UNIT: MM	DWN.	<i>hws</i>
UP TO 1.0:±0.1	SCALE: 8:1	CHK'D.	<i>hws</i>
1.0 TO 10.0:±0.2	VERSION: 06	APPD.	<i>hws</i>
OVER 10.0:±0.3	DRWG NO:		

