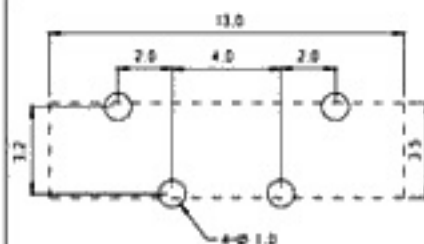
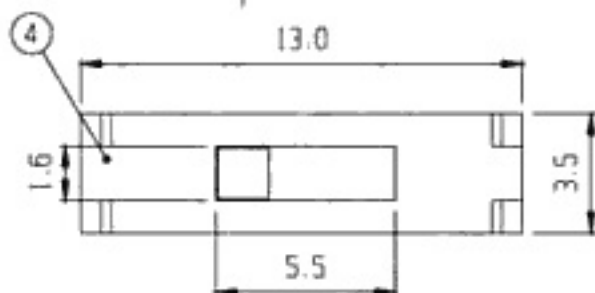
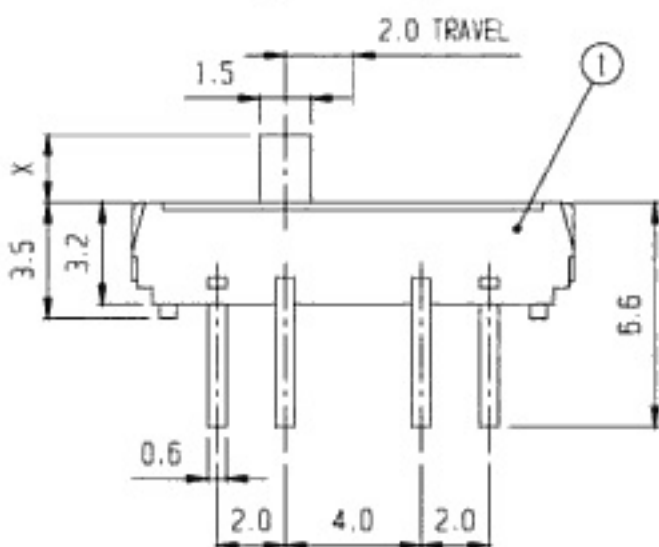


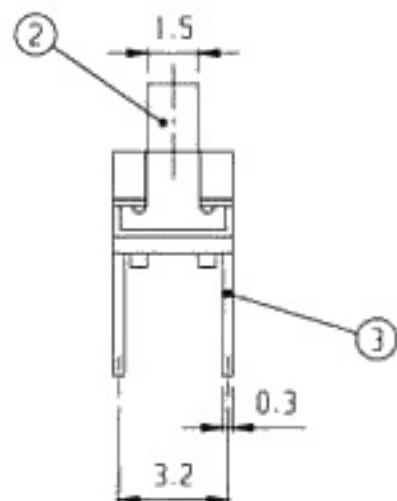
**SCHMATIC**



**P.C.B. LAYOUT**



RoHS Compliance



5	CONTACT	P B S	1	Ag PLATED					
3	TERMINAL	BRASS	4	Ag PLATED	4	COVER BOARD	S U S	1	
1	FRAME	NYLON	1		2	KNOB	NYLON	1	
NO.	PART	MATERIAL	QTY	REMARKS	NO.	PART	MATERIAL	QTY	REMARKS
									TG 2-5

**ISSUED**

**SPECIFICATION**

**TITLE: MINIATURE SLIDE SWITCH (1P3T)**

**RATING: DC 12V 0.1A**

**MODEL NO: MSS-13D21**

**CONTACT RESISTANCE: 70mΩ max.**

**INSULATION RESISTANCE: 100MΩ AT 500V DC**

**TOLERANCE UNIT: MM**

**DWN.**

**WITHSTAND VOLTAGE: AC 100V for 1 minute**

**UP TO 1.0:±0.1**

**SCALE: 5:1**

**CHK'D.**

**OPERATION FORCE: REFER ATTACH SPECIFICATION**

**1.0 TO 10.0:±0.2**

**VERSION: 01**

**APPD.**

**SWITCHING LIFE: 10K cycles min.**

**OVER 10.0:±0.3**

**DRWG NO:**

