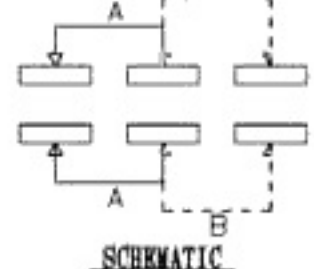
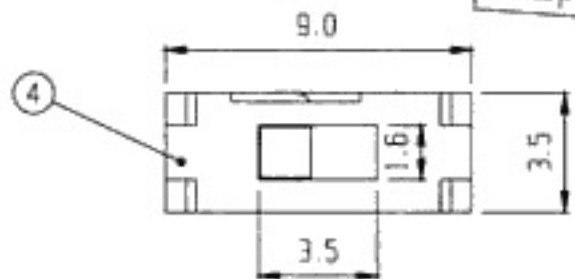
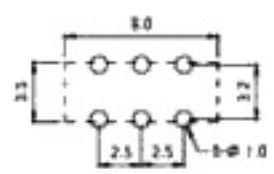


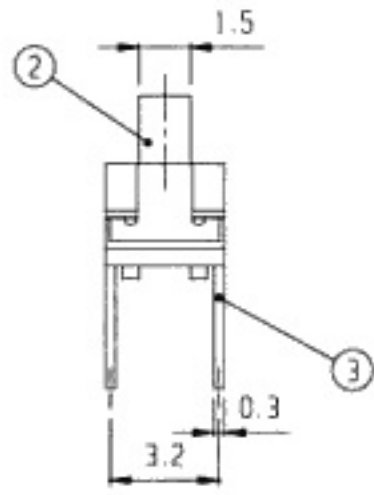
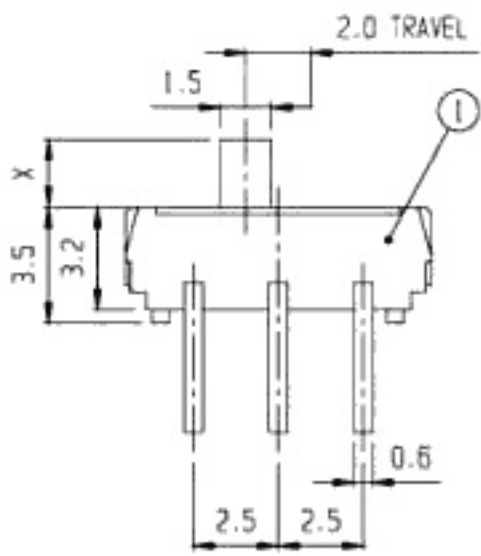
RoHS Compliance



SCHWATIC



P.C.B. LAYOUT



5	CONTACT	CuBe	2	Ag PLATED					
3	TERMINAL	BRASS	6	Ag PLATED	4	COVER BOARD	S U S	1	
1	FRAME	NYLON	1		2	KNOB	NYLON	1 TG 2-5	
NO.	PART	MATERIAL	QTY	REMARKS	NO.	PART	MATERIAL	QTY	REMARKS

ISSUED SPECIFICATION TITLE: MINIATURE SLIDE SWITCH (2P2T)

RATING: DC 12V 0.1A MODEL NO: MSS-22D18-TG

CONTACT RESISTANCE: 70mΩ max. TOLERANCE UNIT: MM DWN. *hoo*

INSULATION RESISTANCE: 100MΩ AT 500V DC UP TO 1.0:±0.1 SCALE: 5:1 CHK'D. *hoo*

WITHSTAND VOLTAGE: AC 100V for 1 minute 1.0 TO 10.0:±0.2 VERSION: 01 APPD. *hoo*

OPERATION FORCE: REFER ATTACH SPECIFICATION OVER 10.0:±0.3 DRWG NO: *hoo*

SWITCHING LIFE: 10K cycles min.

