

0.85" 8x8 Dot Matrix Display

FEATURES -

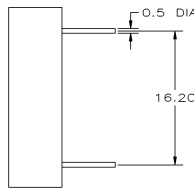
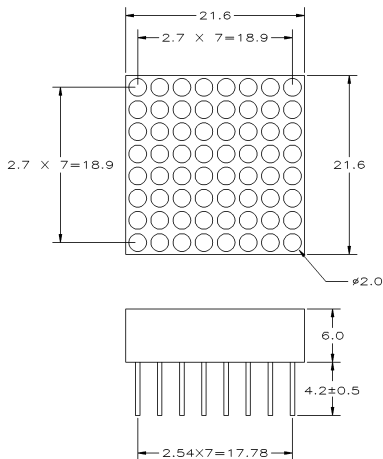
- Excellent Character Appearance
- High Light Output
- Reliable and Rugged
- IC Compatible

OPTO-ELECTRICAL CHARACTERISTICS (Ta = 25°C)

PART NO.	PEAK WAVE LENGTH (nm)	EMITTED COLOR	FACE COLORS		MAXIMUM RATINGS			OPTO-ELECTRICAL CHARACTERISTICS						PIN-OUT	
			SURFACE COLOR	EPOXY COLOR	IF (mA)	VR (V)	PD (mW)	VF(V)			IR(μA)		IV(μcd)		
								typ.	max.	@mA	max.	@VR	typ. per dot		@mA
MTAN7185M2-11BW	660	RED	BLACK	WHITE	30	4	125	1.7	2.2	20	100	4	17400	20	1
MTAN7185M2-21BW	660	RED	BLACK	WHITE	30	4	125	1.7	2.2	20	100	4	17400	20	2

Operating Temperature: -25~+85, Storage Temperature: -25~+100. Other face/epoxy colors are available.

PACKAGE DIMENSIONS AND PIN FUNCTIONS



PINOUT 1

COLUMN ANODE

PIN NO. FUNCTION

1. CATHODE ROW 5
2. CATHODE ROW 7
3. ANODE COLUMN 2
4. ANODE COLUMN 3
5. CATHODE ROW 8
6. ANODE COLUMN 5
7. CATHODE ROW 6
8. CATHODE ROW 3
9. CATHODE ROW 1
10. ANODE COLUMN 4
11. ANODE COLUMN 8
12. CATHODE ROW 4
13. ANODE COLUMN 1
14. CATHODE ROW 2
15. ANODE COLUMN 7
16. ANODE COLUMN 8

PINOUT 2

COLUMN CATHODE

PIN NO. FUNCTION

1. ANODE ROW 5
2. ANODE ROW 7
3. CATHODE COLUMN 2
4. CATHODE COLUMN 3
5. ANODE ROW 8
6. CATHODE COLUMN 5
7. ANODE ROW 6
8. ANODE ROW 3
9. ANODE ROW 1
10. CATHODE COLUMN 4
11. CATHODE COLUMN 8
12. ANODE ROW 4
13. CATHODE COLUMN 1
14. ANODE ROW 2
15. CATHODE COLUMN 7
16. CATHODE COLUMN 8

1. ALL DIMENSIONS ARE IN mm, TOLERANCE IS ± 0.25 mm UNLESS OTHERWISE SPECIFIED.
2. THE SLOPE ANGLE OF ANY PIN MAY BE $\pm 5.0^\circ$ MAX.