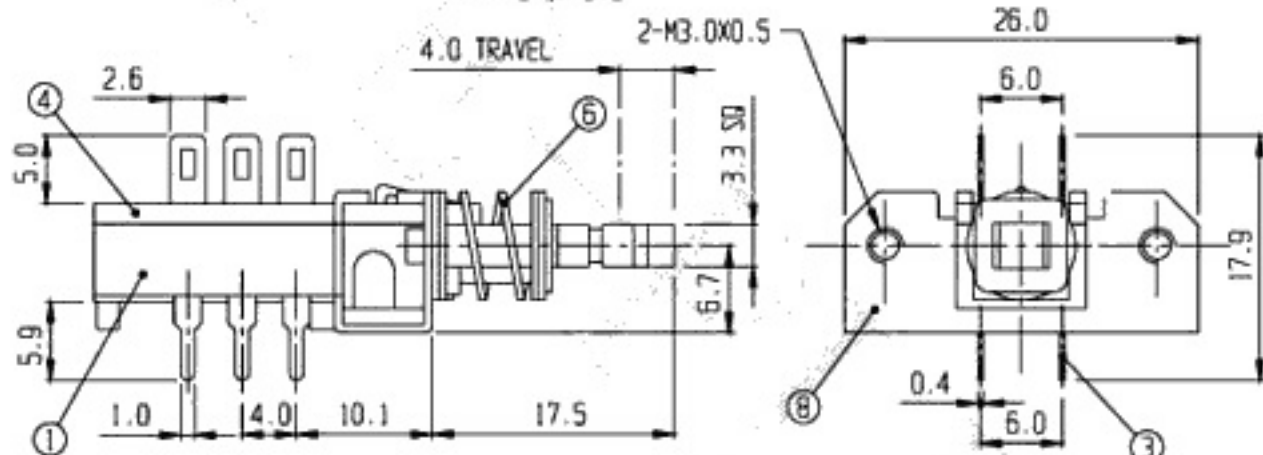


RoHS  
Compliance



7	HOOK	STEEL WIRE	1		8	SHELF	S P C C	1	Ni PLATED
5	CONTACT	BRASS	2	Ag PLATED	6	SPRING	STEEL WIRE	3	
3	TERMINAL	BRASS	6	Ag PLATED	4	TERMINAL BASE	NYLON	1	
1	FRAME	P C	1		2	KNOB	P O M	1	
NO	PART	MATERIAL	QTY	REMARKS	NO	PART	MATERIAL	QTY	REMARKS

ISSUED SPECIFICATION TITLE: PUSH BUTTON SWITCH (2P2T) (LOCK)

RATING: DC 30V 0.5A MODEL NO: PBS-22H04-F18

	CONTACT RESISTANCE: 30mΩ max.	TOLERANCE	UNIT: MM	DWN.	
	INSULATION RESISTANCE: 100MΩ at 500V DC	UP TO 1.0:±0.1	SCALE: 1.5:1	CHK'D.	
	WITHSTAND VOLTAGE: AC 500V for 1 minute	1.0 TO 10.0:±0.2	VERSION: 02	APPD.	
	OPERATION FORCE: REFER ATTACH SPECIFICATION	OVER 10.0:±0.3	DRWG NO:		
	SWITCHING LIFE: 10K cycles min.				