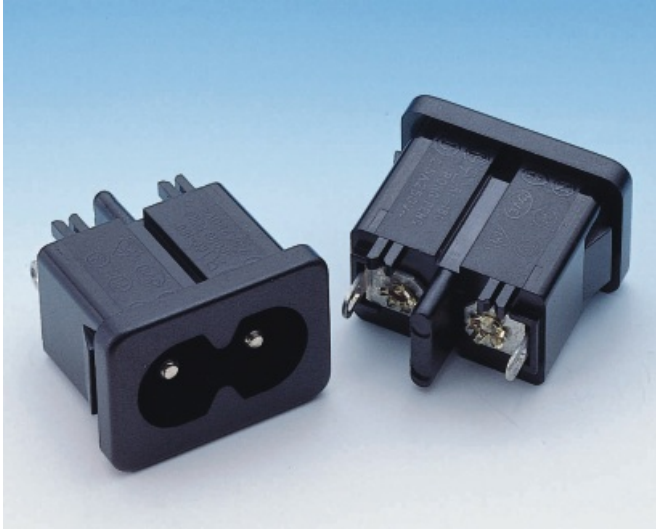


# AC SOCKET



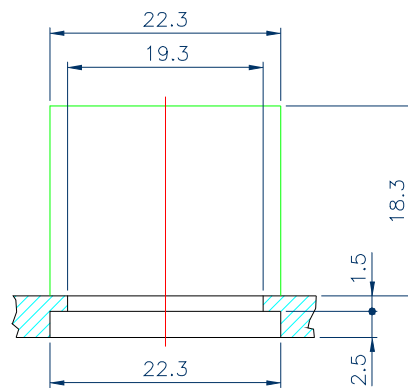
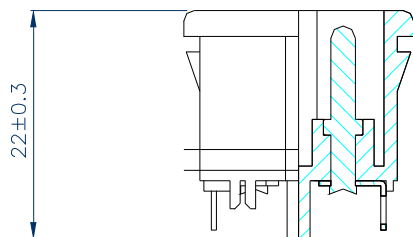
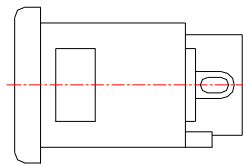
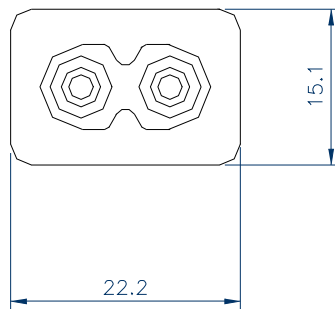
## RF-180-HS

STANDARD: IEC 320 C8

RATING: 2.5A/250V AC

APPROVALS: UL/CSA/VDE/ÖVE/SEV/

DEMKO/NEMKO/SEMKO/FIMKO



PANEL CUTOUT