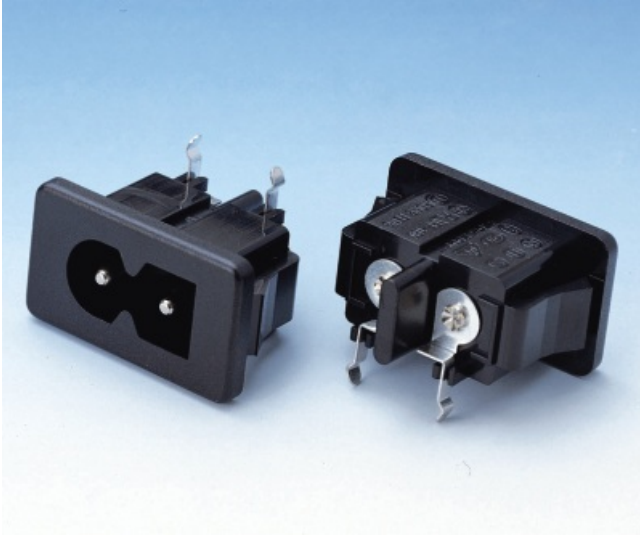


AC SOCKET

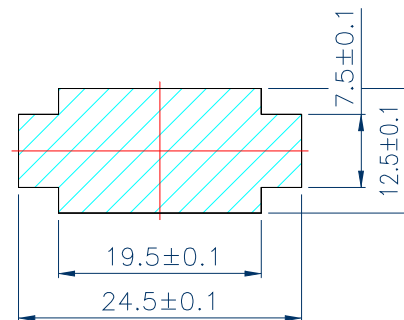
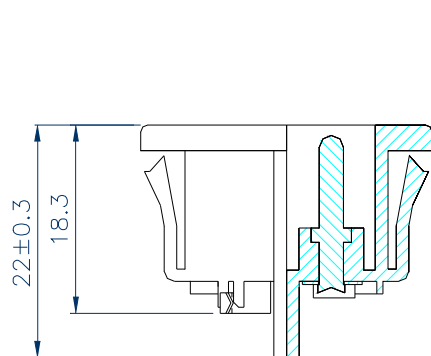
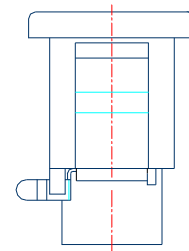
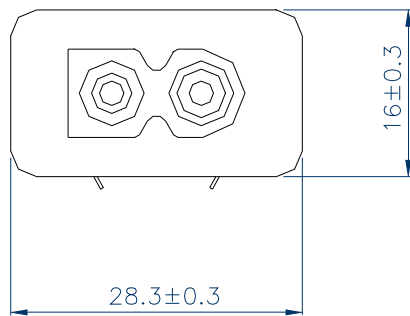


RF-180-J

STANDARD: IEC 320 C8

RATING: 2.5A/250V AC

APPROVALS: UL/CSA/VDE/ÖVE/SEV/
DEMKO/NEMKO/SEMKO/FIMKO



PANEL CUTOUT THICKNESS 0.6mm~2.0mm