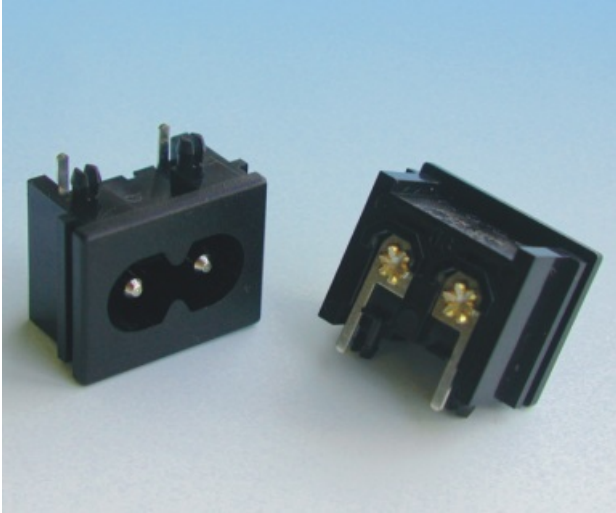


AC SOCKET

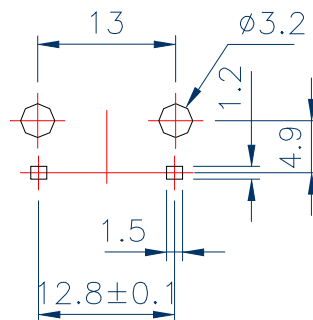
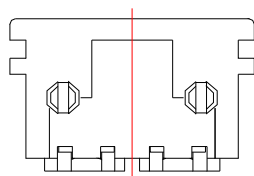
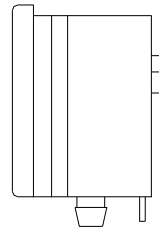
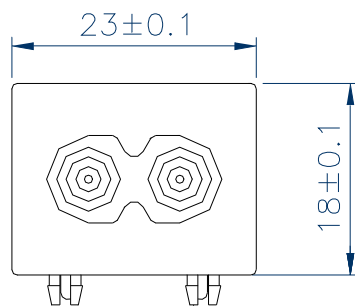


RF-180-R

STANDARD: IEC 320 C8

RATING: 2.5A/250V AC

APPROVALS: UL/CSA/VDE/NEMKO



Panel Cutout