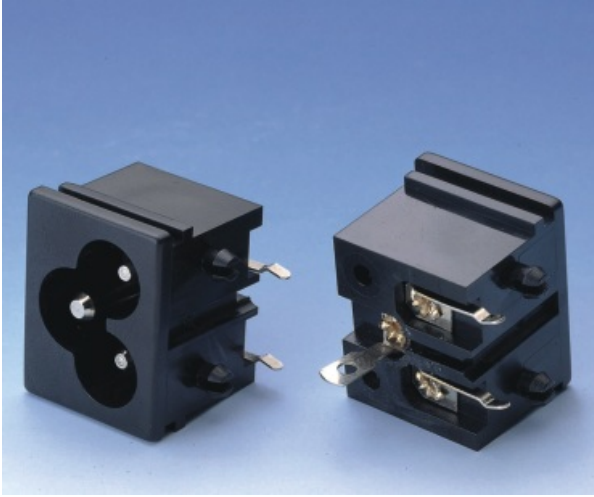


AC SOCKET

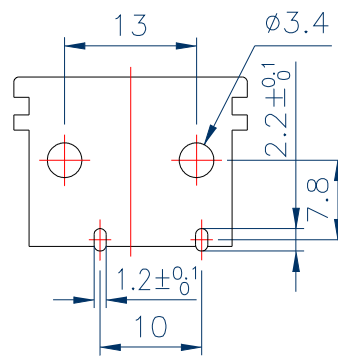
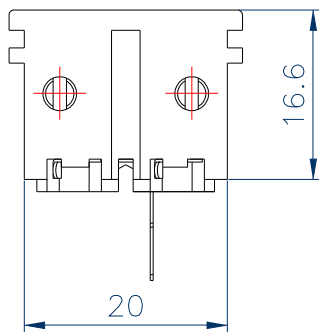
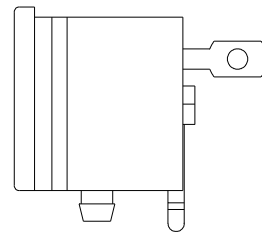
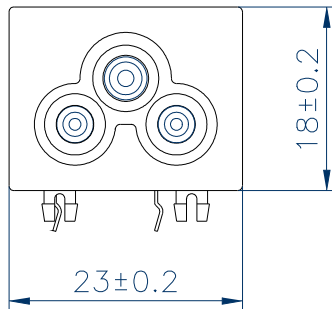


RF-190-A

STANDARD: IEC 320 C6

RATING: 2.5A/250V AC

APPROVALS: UL/CSA/VDE/NEMKO



Panel Cutout