

AC SOCKET

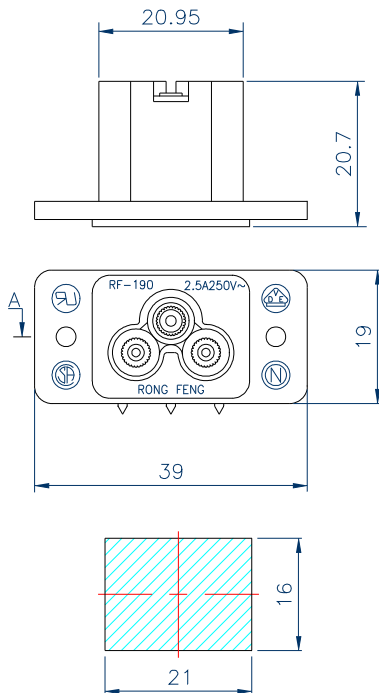


RF-190

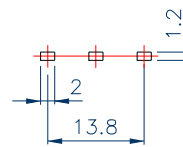
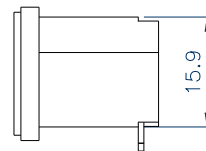
STANDARD: IEC 320 C6

RATING: 2.5A/250V AC

APPROVALS: UL/CSA/VDE/NEMKO



PANEL CUTOUT



P.C.B. LAYOUT