



# BREAKER

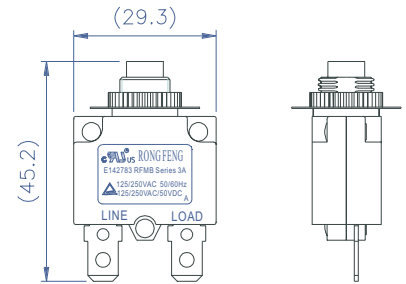
RF-MB Series

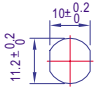
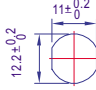
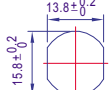
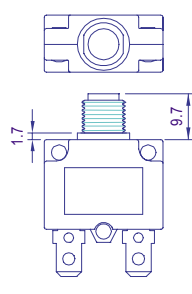
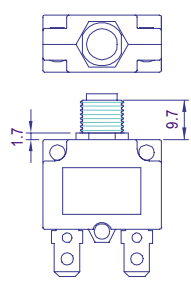
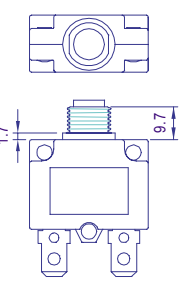
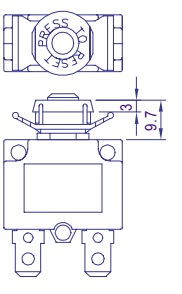
Rating: 3~15A 125V/250V AC

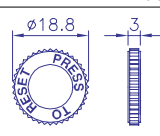
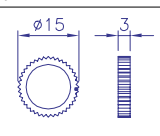


Approvals: UL/cUL

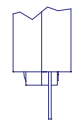
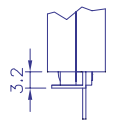
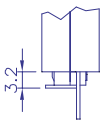
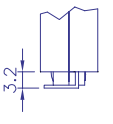
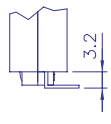
Rating: 3~20A 125V/250V AC/  
50VDC

Approvals: TÜV



Panel Hole	M11X1.0 	M12X1.0 	Panel Cutout Thickness: 0.8~2.5mm 	
Bushing Type	Plastic			
				
	C Type	D Type	H Type	E Type

Mounting Cap	Plastic		Nameplate Type	Embossed (ALUMINUM)	Silver Printing On Black
					
	3 Type	4 Type		22.5X0.4t	22.5X0.4t

Terminal Type					
	.250 Tab	.250 Tab	.250 Tab	.250 Tab	.250 Tab
	A Type : Straight	B Type : Line Pin	C Type : Load Pin	D Type : 90° Bend	E Type : 90° Bend Backward

