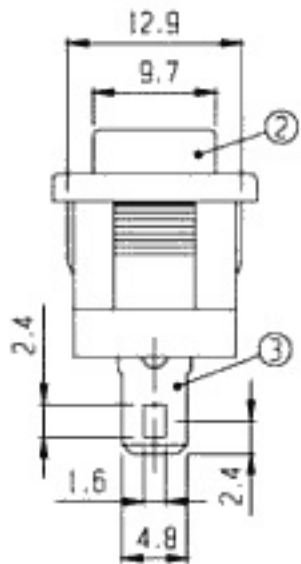
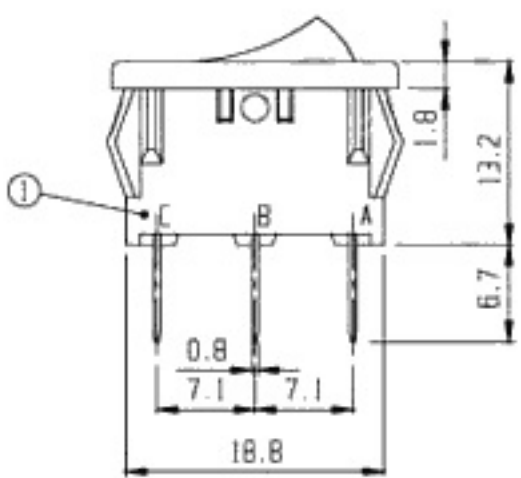


RoHS
Compliance



7	CONTACT POINT	Ag	4		8	BUCKLE	BRASS	1	
5	CONTACT	BRASS	1	Ag PLATED	6	BALL	STEEL	1	
3	TERMINAL	BRASS	3	Ag PLATED	4	SPRING	STEEL WIRE	1	
1	FRAME	NYLON	1		2	KNOB	NYLON	1	
NO	PART	MATERIAL	QTY	REMARKS	NO	PART	MATERIAL	QTY	REMARKS

ISSUED

SPECIFICATION

TITLE: ROCKER SWITCH (1P3T)



RATING: AC 125V 10A / AC 250V 6A
 CONTACT RESISTANCE: <math>< 30\text{m}\Omega</math> (1KHz, 10mA)
 INSULATION RESISTANCE: >500M Ω (DC1000V)
 WITHSTAND VOLTAGE: 1000V AC for 1min.
 OPERATION FORCE: REFER ATTACH SPECIFICATION
 SWITCHING LIFE: REFER ATTACH SPECIFICATION

MODEL NO: RSA-1102-13-(E)

TOLERANCE	UNIT: MM	DWN.	<i>hws</i>
UP TO 1.0: ± 0.1	SCALE: 2:1	CHK'D.	<i>hws</i>
1.0 TO 10.0: ± 0.2	VERSION: 01	APPD.	<i>hws</i>
OVER 10.0: ± 0.3	DRWG NO:		