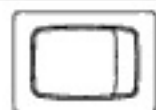
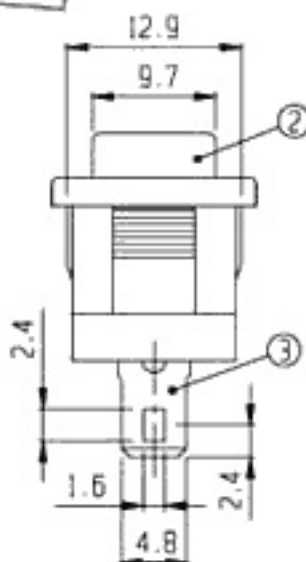
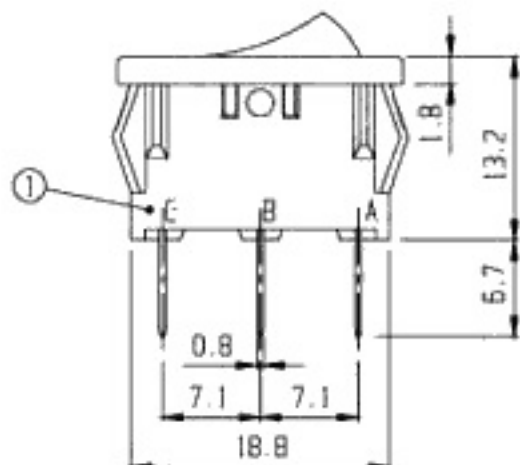
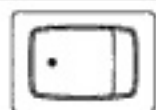


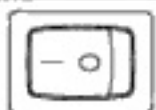
RoHS
Compliance



RSB-1102-12-A



RSB-1102-12-B



RSB-1102-12-C



RSB-1102-12-D

7	BUCKLE	BRASS	1						
5	CONTACT	BRASS	1	Ag PLATED	6	BALL	STEEL	1	
3	TERMINAL	BRASS	3	Ag PLATED	4	SPRING	STEEL WIRE	1	
1	FRAME	NYLON	1		2	KNOB	NYLON	1	
NO	PART	MATERIAL	QTY	REMARKS	NO	PART	MATERIAL	QTY	REMARKS

ISSUED

SPECIFICATION

TITLE: ROCKER SWITCH (1P2T)



RATING: AC 125V 3A / AC 250V 1.5A

CONTACT RESISTANCE: <math>< 30\text{m}\Omega</math> (1KHz, 10mA)

INSULATION RESISTANCE: >500M Ω (DC 500V)

WITHSTAND VOLTAGE: 1000V AC for 1min.

OPERATION FORCE: REFER ATTACH SPECIFICATION

SWITCHING LIFE: 10K cycles min.

MODEL NO: RSB-1102-12-()

TOLERANCE UNIT: MM DWN. *h*

UP TO 1.0: ± 0.1 SCALE: 2:1 CHK'D. *m*

1.0 TO 10.0: ± 0.2 VERSION: 01

OVER 10.0: ± 0.3 DRWG NO: APPD. *[Signature]*