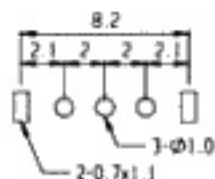
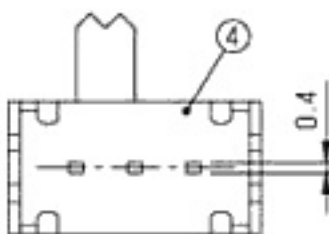
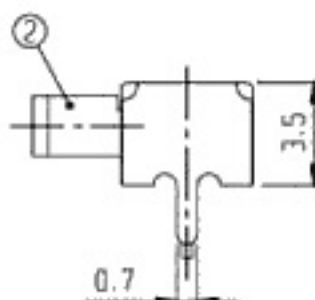
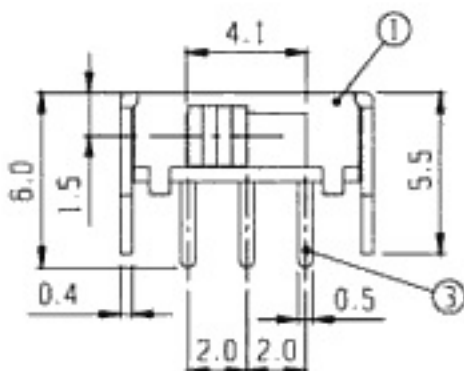


SCHEMATIC



PCB LAYOUT

RoHS Compliance



5	CONTACT	P B S	1	Ag PLATED	6	SPRING PLATE	S U S	1	
3	TERMINAL	BRASS	3	Ag PLATED	4	TERMINAL BASE	PHENOL RESIN	1	NATURAL
1	FRAME	S P C C	1	Ni PLATED	2	KNOB	P O M	1	VGA 2-6
NO	PART	MATERIAL	QTY	REMARKS	NO	PART	MATERIAL	QTY	REMARKS

ISSUED

SPECIFICATION

TITLE: SIDE KNOB SLIDE SWITCH (1P2T)

RATING: DC 30V 0.3A

CONTACT RESISTANCE: 30mΩ max.

INSULATION RESISTANCE: 500MΩ at 500V DC

WITHSTAND VOLTAGE: AC 500V for 1 minute

OPERATION FORCE: REFER ATTACH SPECIFICATION

SWITCHING LIFE: 10K cycles min.

MODEL NO: SK-12D02 (VGA )

TOLERANCE

UNIT: MM

DWN.

UP TO 1.0:±0.1

SCALE: 4:1

CHK'D.

1.0 TO 10.0:±0.2

VERSION: 02

OVER 10.0:±0.3

DRWG NO:

APPD.

