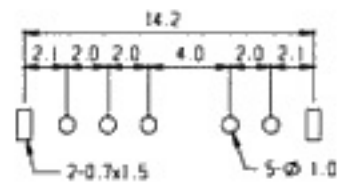
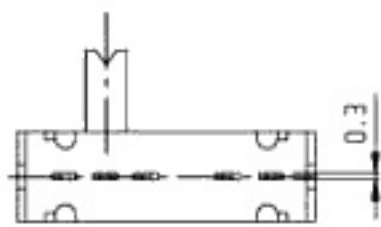
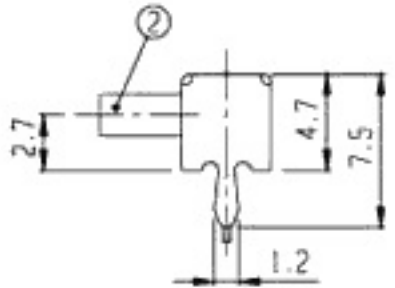
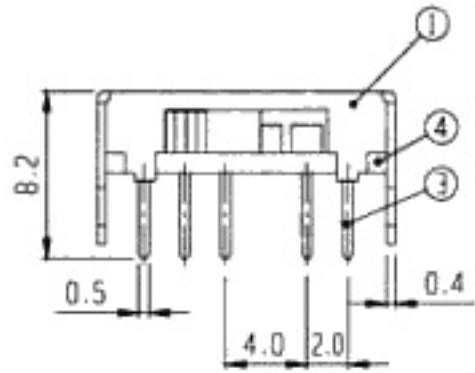


SCHEMATIC



PCB LAYOUT

RoHS Compliance



5	CONTACT	P B S	1	Ag PLATED	6	SPRING PLATE	P B S	1	
3	TERMINAL	BRASS	5	Ag PLATED	4	TERMINAL BASE	PHENOL RESIN	1	NATURAL
1	FRAME	S P C C	1	Ni PLATED	2	KNOB	P O M	1	VG 2-7
NO	PART	MATERIAL	QTY	REMARKS	NO	PART	MATERIAL	QTY	REMARKS

ISSUED

SPECIFICATION

TITLE: SIDE KNOB SLIDE SWITCH (1P4T)

RATING: DC 30V 0.5A
 CONTACT RESISTANCE: 30mΩ max.
 INSULATION RESISTANCE: 500MΩ at 500V DC
 WITHSTAND VOLTAGE: AC 500V for 1 minute
 OPERATION FORCE: REFER ATTACH SPECIFICATION
 SWITCHING LIFE: 10K cycles min.

MODEL NO: SK-14D03 (VG)



TOLERANCE	UNIT: MM	DWN.	<i>hoo</i>
UP TO 1.0:±0.1	SCALE: 3:1	CHK'D.	<i>hoo</i>
1.0 TO 10.0:±0.2	VERSION: 02	APPD.	<i>hoo</i>
OVER 10.0:±0.3	DRWG NO: 002		