

# AC SOCKET



## SS-120-C-PCB-A

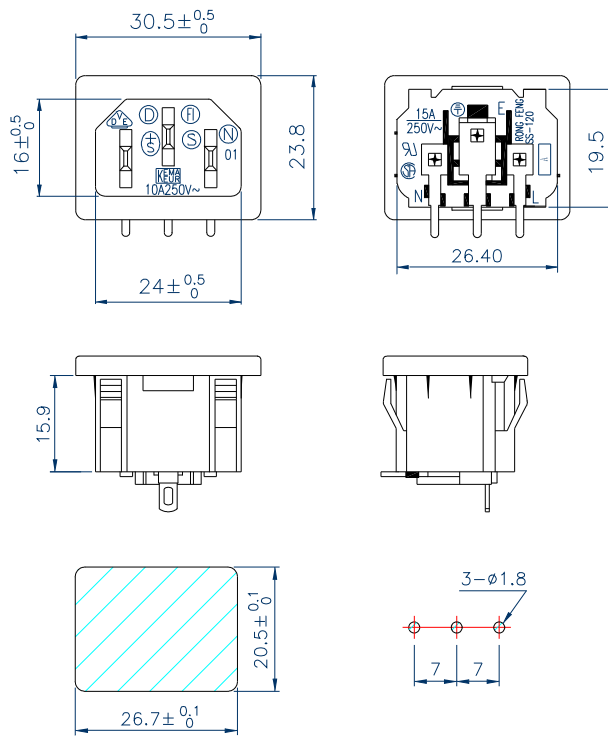
STANDARD: IEC 320 C14

RATING: 15A/250V AC

APPROVALS: UL/CSA

RATING: 10A250V ~

APPROVALS: VDE/SEV/FIMKO/DEMKO/KEMA  
/NEMKO/ SEMKO



PANEL CUTOUT  
THICKNESS 0.8mm~1.5mm

P.C.B LAYOUT