

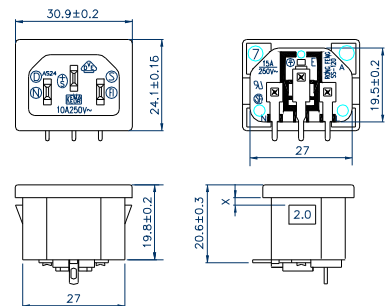
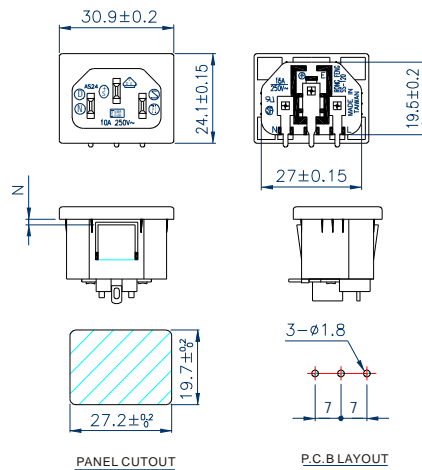
AC SOCKET

SS-120-PCB

STANDARD: IEC 320 C14
 RATING: 15A/250V AC
 APPROVALS: UL/CSA
 RATING: 10A250V ~
 APPROVALS: VDE/KEMA/SEV/DEMKO/NEMKO/
 SEMKO/FIMKO/CCEE



SS-120-PCB-	N
	0.8 ^{+0.3} ₀
	1.0 ^{+0.3} ₀
	1.2 ^{+0.3} ₀
	1.5 ^{+0.3} ₀
	2.0 ^{+0.3} ₀
3.0 ^{+0.3} ₀	



SS-120-PCB-	X	
	0.8	
	1.0	A
	1.5	
	2.0	

