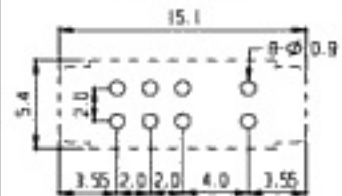


NON-SHORTING

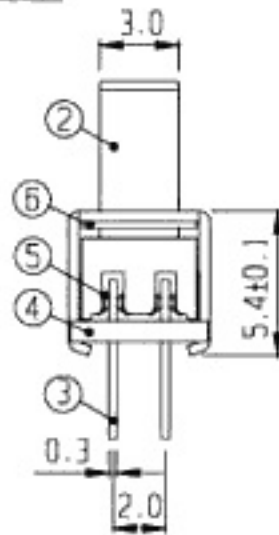
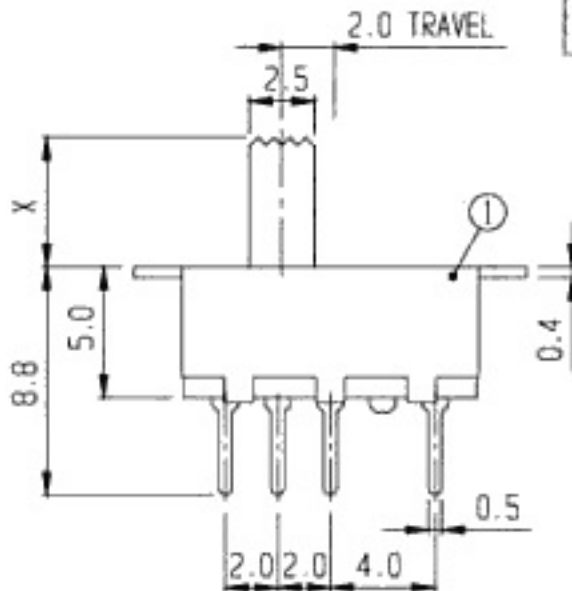


SCHEMATIC



PCB LAYOUT

RoHS Compliance



5	CONTACT	P B S	2	Ag PLATED	6	SPRING PLATE	S U S	1	
3	TERMINAL	BRASS	8	Ag PLATED	4	TERMINAL BASE	PHENOL RESIN	1	NATURAL
1	FRAME	S P C C	1	Ni PLATED	2	KNOB	P B T	1	EG 2.5-10
NO	PART	MATERIAL	QTY	REMARKS	NO	PART	MATERIAL	QTY	REMARKS

ISSUED

SPECIFICATION

TITLE: SLIDE SWITCH (2P3T)



RATING: DC 30V 0.3A

CONTACT RESISTANCE: 30mΩ max.

INSULATION RESISTANCE: 500MΩ at 500V DC

WITHSTAND VOLTAGE: AC 500V for 1 minute

OPERATION FORCE: REFRR ATTACH SPECIFICATION

SWITCHING LIFE: 10K cycles min.

MODEL NO: SS-23D09 (EG)

TOLERANCE UNIT: MM

UP TO 1.0:±0.1 SCALE: 4:1

1.0 TO 10.0:±0.2 VERSION: 01

OVER 10.0:±0.3 DRWG NO:

DWN.

CHK'D.

APPD.

hms

hms

[Signature]