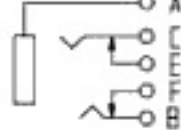
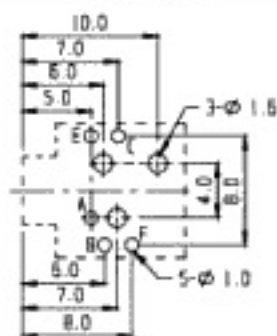


MATING PLUG

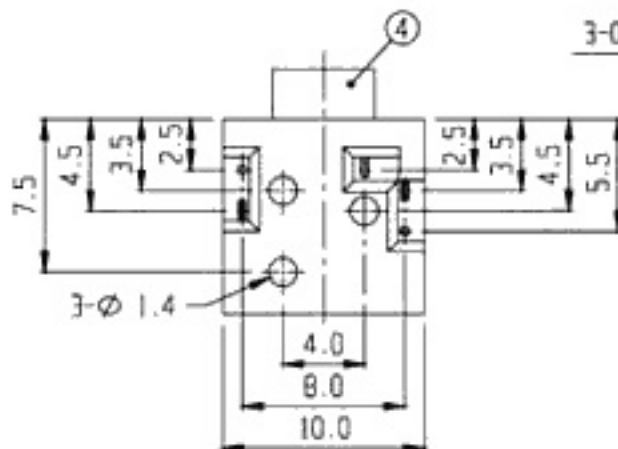
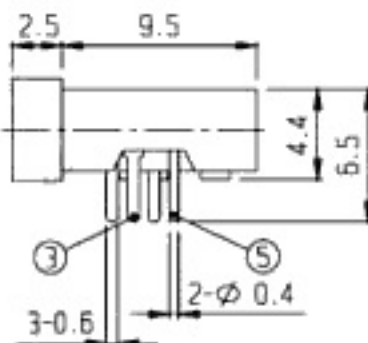
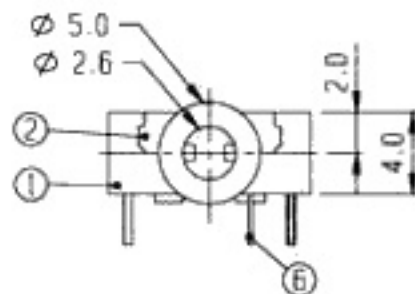
RoHS Compliance



SCHEMATIC



PCB LAYOUT



5	TERMINAL	BRASS	2	Ag PLATED	6	TERMINAL	P B S	1	Ag PLATED
3	CONTACT	S U S	2	Ag PLATED	4	SHEATH	BRASS	1	Ni PLATED
1	FRAME	NYLON43L	1		2	COVER BOARD	NYLON43L	1	
NO.	PART	MATERIAL	QTY	REMARKS	NO.	PART	MATERIAL	QTY	REMARKS

ISSUED

SPECIFICATION

TITLE: 2.5mm STEREO JACK

RATING: DC 30V 0.3A

CONTACT RESISTANCE: 50mΩ max.

INSULATION RESISTANCE: 100MΩ AT 500V DC

WITHSTAND VOLTAGE: AC 500V for 1 minute

OPERATION FORCE: REFER ATTACH SPECIFICATION

SWITCHING LIFE: 5K cycles(15-18 cycles/min unloading)

MODEL NO: ST-2507

TOLERANCE

UP TO 1.0:±0.1

1.0 TO 10.0:±0.2

OVER 10.0:±0.3

UNIT: MM

SCALE: 3:1

VERSION: 2

DRWG NO:

DWN.

CHK'D.

APPD.



hoo
m
[Signature]