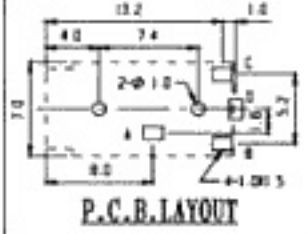
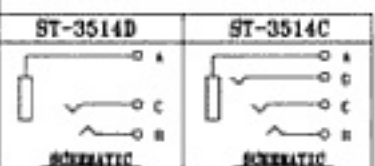
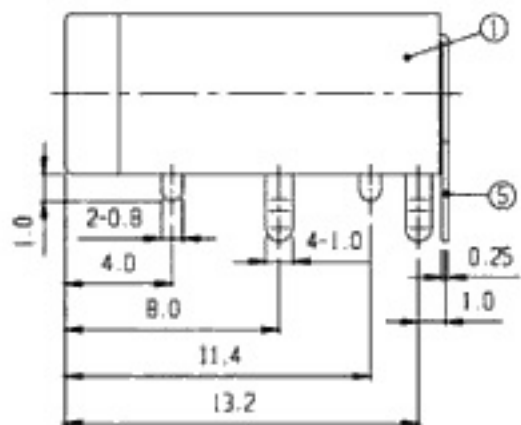
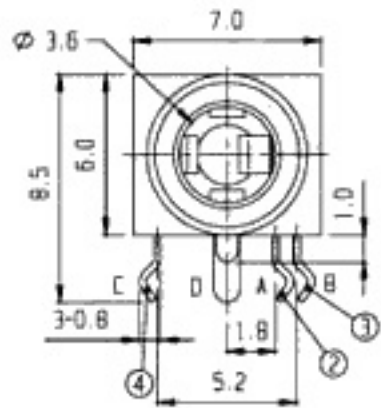
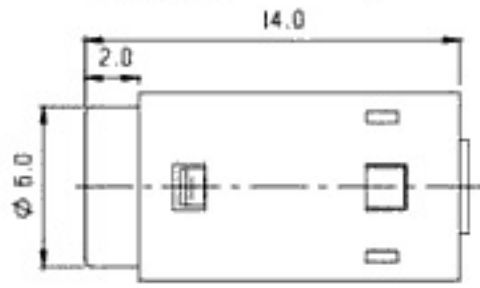


MATING PLUG

RoHS Compliance



P.C.B. LAYOUT



NO.	PART	MATERIAL	QTY	REMARKS	NO.	PART	MATERIAL	QTY	REMARKS
5	SPRING PLATE	CuBe	1	Ag PLATED	4	SPRING PLATE	CuBe	1	Ag PLATED
3	SPRING PLATE	CuBe	1	Ag PLATED	2	SPRING PLATE	CuBe	1	Ag PLATED
1	FRAME	P B T	1						



ISSUED	SPECIFICATION	TITLE:	3.5mm STERED JACK		
	RATING: DC 30V 0.3A	MODEL NO:	ST-3514C		
	CONTACT RESISTANCE: 50mΩ max.	TOLERANCE	UNIT: MM	DWN.	hoo
	INSULATION RESISTANCE: 100MΩ AT 500V DC	UP TO 1.0:±0.1	SCALE: 4:1	CHK'D.	hoo
	WITHSTAND VOLTAGE: AC 500V for 1 minute	1.0 TO 10.0:±0.2	VERSION: 4	APPD.	hoo
	OPERATION FORCE: REFER ATTACH SPECIFICATION	OVER 10.0:±0.3	DRWG NO:		
	SWITCHING LIFE: 5K cycles min.				