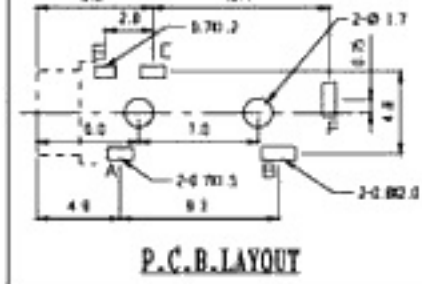
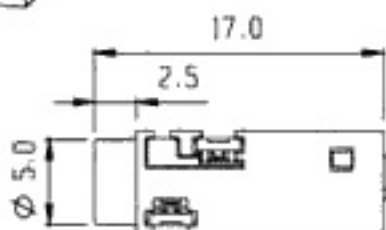
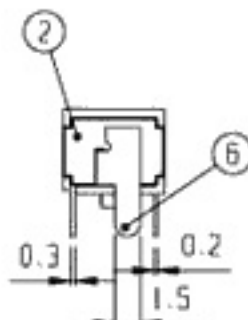
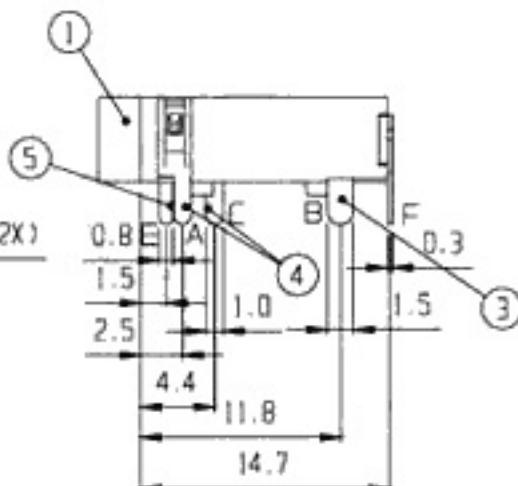
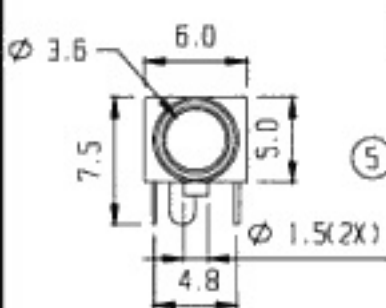


MATING PLUG



P.C.B. LAYOUT

RoHS
Compliance



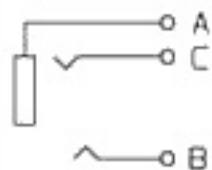
ST-3593A

ST-3593B

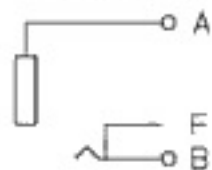
ST-3594A

ST-3594B

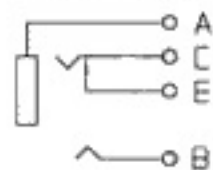
ST-3595A



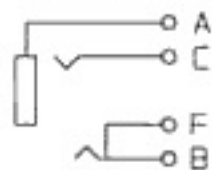
SCHEMATIC



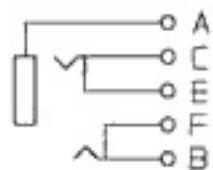
SCHEMATIC



SCHEMATIC



SCHEMATIC



SCHEMATIC

NO.	PART	MATERIAL	QTY	REMARKS	NO.	PART	MATERIAL	QTY	REMARKS
5	TERMINAL	BRASS	1	Ag-PLATED	6	TERMINAL	BRASS	1	Ag-PLATED
3	TERMINAL	CuBe	1	Ag-PLATED	4	TERMINAL	CuBe	2	Ag-PLATED
1	FRAME	NYLON 6T	1		2	COVER BOARD	NYLON 6T	1	

ISSUED

SPECIFICATION

TITLE: 3.5mm STERED JACK



RATING: DC 30V 0.3A
 CONTACT RESISTANCE: 50mΩ max.
 INSULATION RESISTANCE: 100MΩ AT 500V DC
 WITHSTAND VOLTAGE: AC 500V for 1 minute
 OPERATION FORCE: REFER ATTACH SPECIFICATION
 SWITCHING LIFE: 5K cycles min.

MODEL NO: ST-3595A

TOLERANCE	UNIT: MM	DWN.	<i>hoo</i>
UP TO 1.0:±0.1	SCALE: 2.5:1	CHK'D.	<i>m</i>
1.0 TO 10.0:±0.2	VERSION: 01	APPD.	<i>[Signature]</i>
OVER 10.0:±0.3	DRWG NO:		