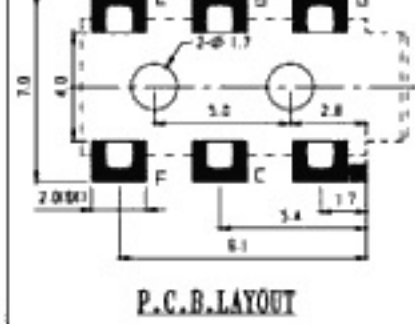
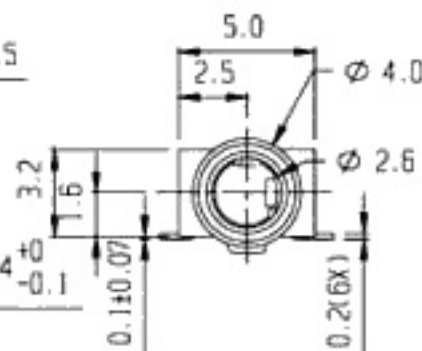
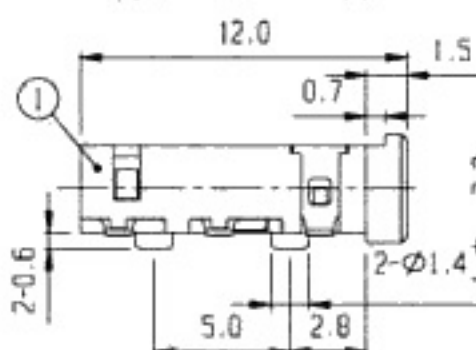
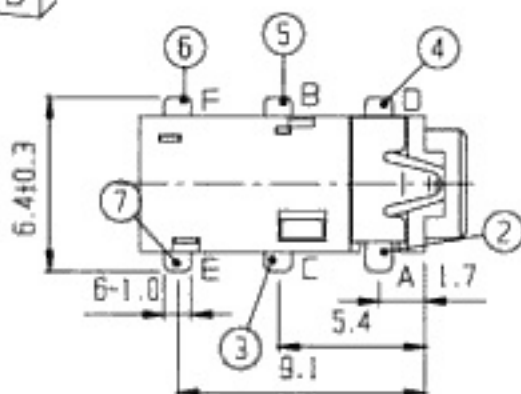


MATING PLUG



P.C.B. LAYOUT



STM-25066A	STM-25065B	STM-25065C	STM-25064C

RoHS Compliance

NO.	PART	MATERIAL	QTY	REMARKS	NO.	PART	MATERIAL	QTY	REMARKS
7	TERMINAL	BRASS	1	Au PLATED	6	TERMINAL	BRASS	1	Au PLATED
5	SPRING PLATE	P B S	1	Au PLATED	4	SPRING PLATE	P B S	1	Au PLATED
3	SPRING PLATE	P B S	1	Au PLATED	2	SPRING PLATE	P B S	1	Au PLATED
1	FRAME	NYLON 6T	1						

ISSUED SPECIFICATION TITLE: 2.5mm SMD STERED JACK

RATING: DC 30V 0.3A	MODEL NO: STM-25066A
CONTACT RESISTANCE: 50mΩ max.	TOLERANCE UNIT: MM DWN. <i>hw</i>
INSULATION RESISTANCE: 100MΩ AT 500V DC	UP TO 1.0:±0.1 SCALE: 4:1 CHK'D. <i>hw</i>
WITSTAND VOLTAGE: AC 500V for 1 minute	1.0 TO 10.0:±0.2 VERSION: 2
OPERATION FORCE: REFER ATTACH SPECIFICATION	OVER 10.0:±0.3 DRWG NO: APPD. <i>hw</i>
SWITCHING LIFE: 5,000 cycles min.	

