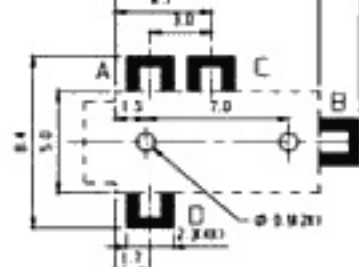
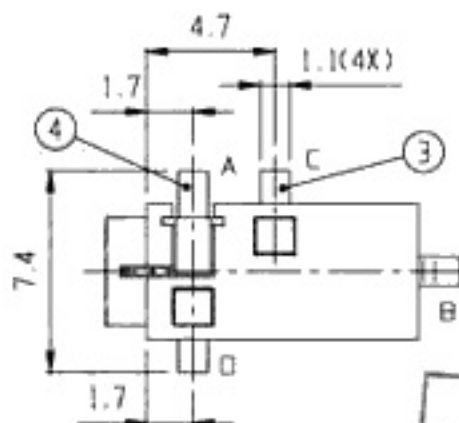


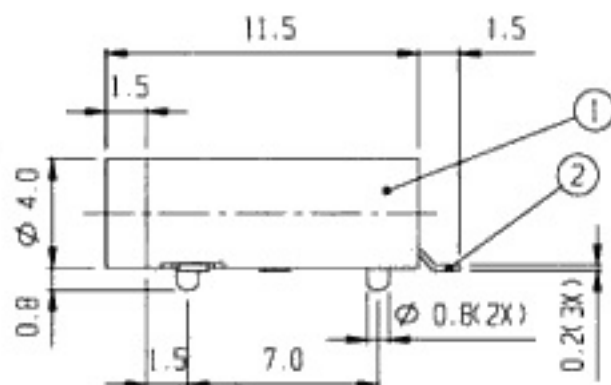
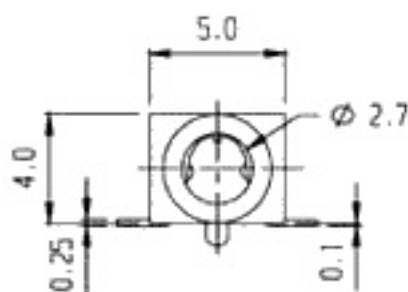
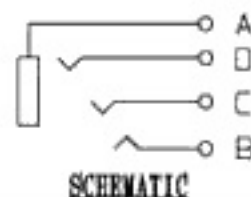
MATING PLUG



P.C.B. LAYOUT



RoHS Compliance



3	SPRING PLATE	CuBe	2	Ag PLATED	4	TERMINAL	P B S	1	Ag PLATED
1	FRAME	NYLON 46	1		2	SPRING PLATE	P B S	1	Ag PLATED
NO.	PART	MATERIAL	QTY	REMARKS	NO.	PART	MATERIAL	QTY	REMARKS

ISSUED

SPECIFICATION

TITLE: 2.6mm SMD STERED JACK

RATING: DC 30V 0.3A  
 CONTACT RESISTANCE: 50mΩ max.  
 INSULATION RESISTANCE: 100MΩ AT 500V DC  
 WITHSTAND VOLTAGE: AC 500V for 1 minute  
 OPERATION FORCE: REFER ATTACH SPECIFICATION  
 SWITCHING LIFE: 5,000 cycles min.

MODEL NO: STM-26084C

TOLERANCE	UNIT: MM	DWN.	<i>hoo</i>
UP TO 1.0:±0.1	SCALE: 4:1	CHK'D.	<i>hoo</i>
1.0 TO 10.0:±0.2	VERSION: 04	APPD.	<i>hoo</i>
OVER 10.0:±0.3	DRWG NO:		

