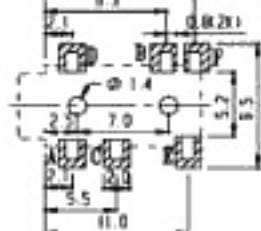
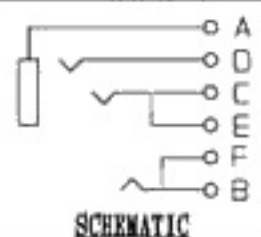
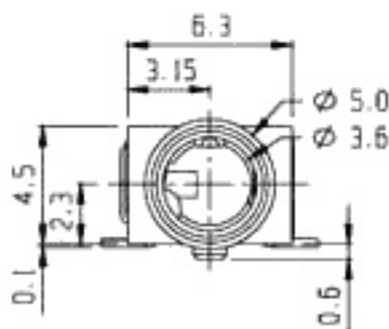
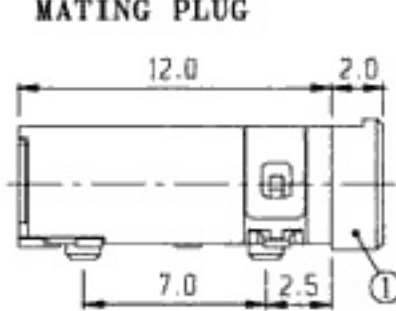


RoHS
Compliance

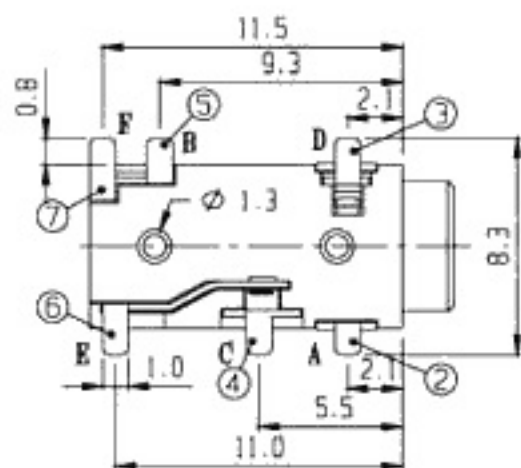


PCB LAYOUT

MATING PLUG



SCHEMATIC



| | | | | | | | | | |
|----|--------------|----------|-----|-----------|----|--------------|----------|-----|-----------|
| 7 | TERMINAL | BRASS | 1 | Ag PLATED | | | | | |
| 5 | SPRING PLATE | P B S | 1 | Ag PLATED | 6 | TERMINAL | BRASS | 1 | Ag PLATED |
| 3 | SPRING PLATE | P B S | 1 | Ag PLATED | 4 | SPRING PLATE | P B S | 1 | Ag PLATED |
| 1 | FRAME | NYLON 6T | 1 | | 2 | SPRING PLATE | P B S | 1 | Ag PLATED |
| NO | PART | MATERIAL | QTY | REMARKS | NO | PART | MATERIAL | QTY | REMARKS |

ISSUED

SPECIFICATION

TITLE: 3.5mm SMD STEREO JACK

RATING: DC 30V 0.3A

CONTACT RESISTANCE: 50mΩ max.

INSULATION RESISTANCE: 100MΩ at 500V DC

WITHSTAND VOLTAGE: AC 500V for 1 minute

OPERATION FORCE: REFER ATTACH SPECIFICATION

SWITCHING LIFE: 5,000 cycles min.

MODEL NO: STM-35166A

TOLERANCE

UNIT: MM

DWN.

UP TO 1.0:±0.1

SCALE: 4:1

CHK'D.

1.0 TO 10.0:±0.2

VERSION: 1

OVER 10.0:±0.3

DRWG NO:

APPD.

