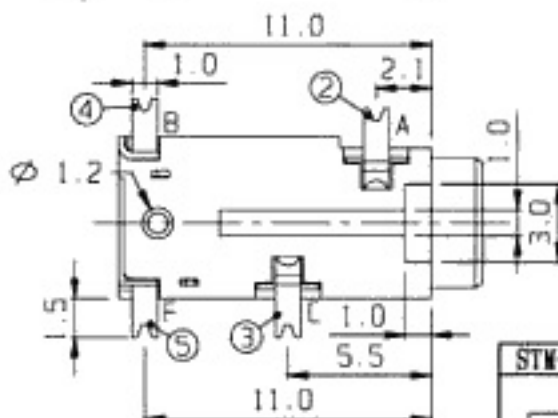
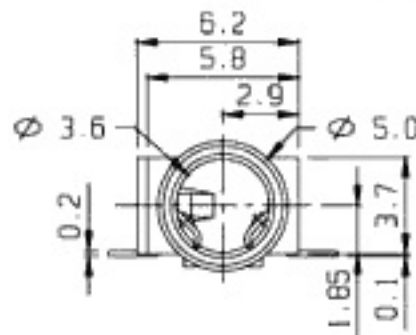
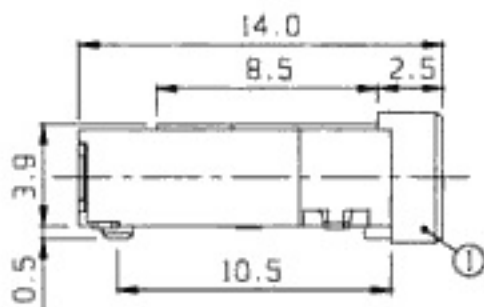
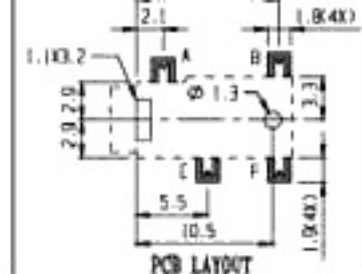


MATING PLUG



RoHS  
Compliance

STM-35184B-T01	STM-35183B-T01	STM-35183A-T01

NO	PART	MATERIAL	QTY	REMARKS	NO	PART	MATERIAL	QTY	REMARKS
5	TERMINAL	BRASS	1	Ag-PLATING					
3	TERMINAL	P B S	1	Ag-PLATING	4	TERMINAL	P B S	1	Ag-PLATING
1	FRAME	NYLON 6T	1		2	TERMINAL	P B S	1	Ag-PLATING

ISSUED

SPECIFICATION

TITLE: 3.5mm SMD STEREO JACK



RATING: DC 30V 0.3A  
 CONTACT RESISTANCE: 50mΩ max.  
 INSULATION RESISTANCE: 100MΩ at 500V DC  
 WITHSTAND VOLTAGE: AC 500V for 1 minute  
 OPERATION FORCE: REFER ATTACH SPECIFICATION  
 SWITCHING LIFE: 5,000 cycles min.

MODEL NO: STM-35184B-T01

TOLERANCE UNIT: MM  
 UP TO 1.0:±0.1 SCALE: 4:1  
 1.0 TO 10.0:±0.2 VERSION: 01  
 OVER 10.0:±0.3 DRWG NO:

DWN. *hoo*  
 CHK'D. *mu*  
 APPD. *[Signature]*