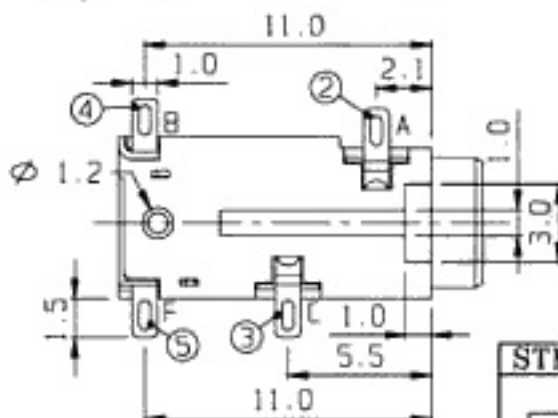
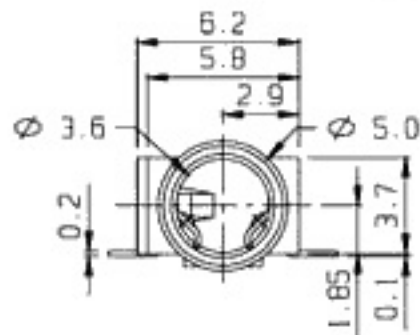
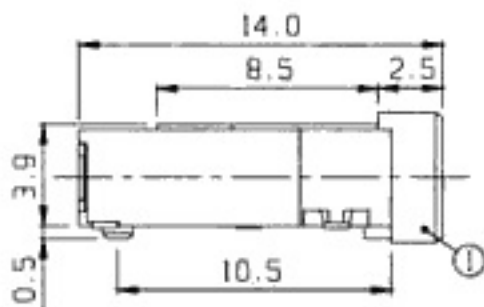
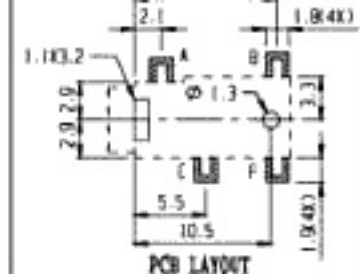


MATING PLUG



RoHS
Compliance

STM-35184B	STM-35183B	STM-35183A

NO	PART	MATERIAL	QTY	REMARKS	NO	PART	MATERIAL	QTY	REMARKS
5	TERMINAL	BRASS	1	Ag-PLATING	4	TERMINAL	P B S	1	Ag-PLATING
3	TERMINAL	P B S	1	Ag-PLATING	2	TERMINAL	P B S	1	Ag-PLATING
1	FRAME	NYLON 6T	1						

ISSUED

SPECIFICATION

TITLE: 3.5mm SMD STEREO JACK



RATING: DC 30V 0.3A
 CONTACT RESISTANCE: 50mΩ max.
 INSULATION RESISTANCE: 100MΩ at 500V DC
 WITHSTAND VOLTAGE: AC 500V for 1 minute
 OPERATION FORCE: REFER ATTACH SPECIFICATION
 SWITCHING LIFE: 5,000 cycles min.

MODEL NO: STM-35184B

TOLERANCE UNIT: MM
 UP TO 1.0:±0.1 SCALE: 4:1
 1.0 TO 10.0:±0.2 VERSION: 01
 OVER 10.0:±0.3 DRWG NO:

DWN.
 CHK'D.
 APPD.