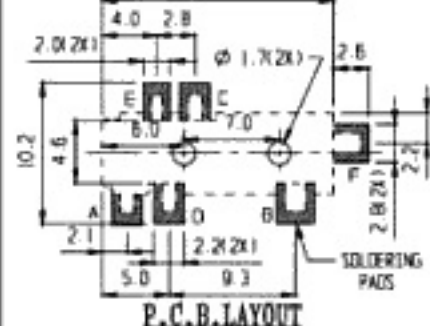
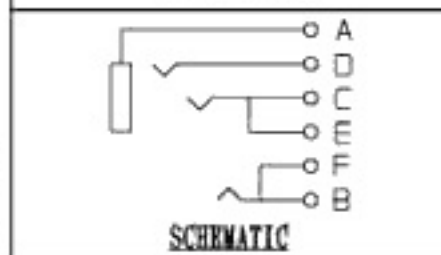
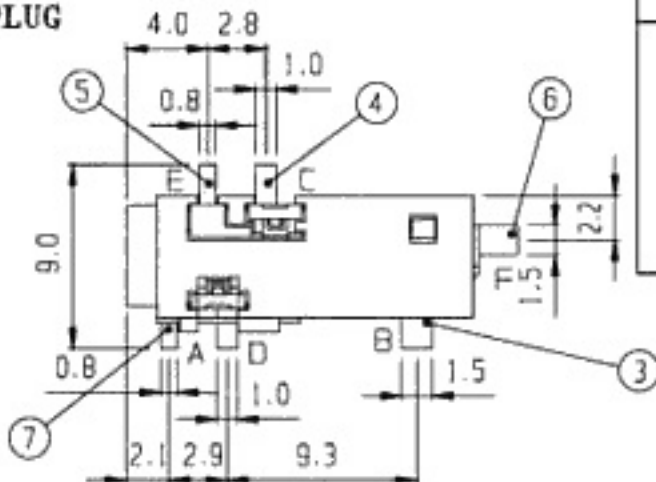


MATING PLUG

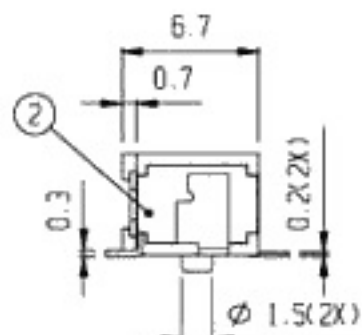
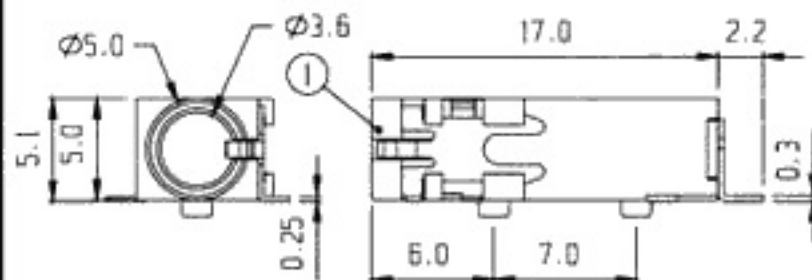


P.C.B. LAYOUT



SCHEMATIC

RoHS Compliance



7	TERMINAL	P B S	1	Ag-PLATING					
5	TERMINAL	BRASS	1	Ag-PLATING	6	TERMINAL	BRASS	1	Ag-PLATING
3	TERMINAL	CuBe	1	Ag-PLATING	4	TERMINAL	CuBe	2	Ag-PLATING
1	FRAME	NYLON 6T	1		2	COVER BOARD	NYLON 6T	1	
NO.	PART	MATERIAL	QTY	REMARKS	NO.	PART	MATERIAL	QTY	REMARKS

ISSUED

SPECIFICATION

TITLE: 3.5mm SMD STERED JACK

RATING: DC 30V 0.3A
 CONTACT RESISTANCE: 50mΩ max.
 INSULATION RESISTANCE: 100MΩ AT 500V DC
 WITHSTAND VOLTAGE: AC 500V for 1 minute
 OPERATION FORCE: REFER ATTACH SPECIFICATION
 SWITCHING LIFE: 5,000 cycles min.

MODEL NO: STM-35196A

TOLERANCE	UNIT: MM	DWN.	hoo
UP TO 1.0:±0.1	SCALE: 3:1	CHK'D.	m
1.0 TO 10.0:±0.2	VERSION: 2	APPD.	
OVER 10.0:±0.3	DRWG NO:		

