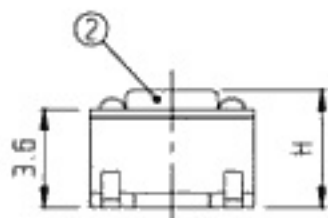
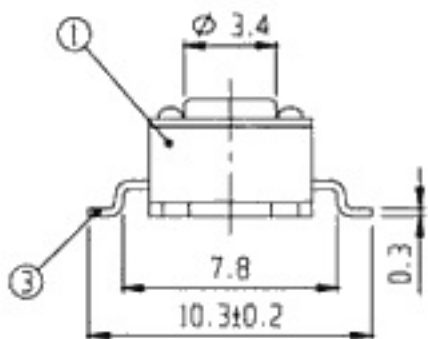


SCHEMATIC



PCB LAYOUT

RoHS
Compliance



MODEL NO.	H	MODEL NO.	H
TC-06104-02	4.30	TC-06104D-02	13.00
TC-06104A-02	5.00	TC-06104E-02	7.00
TC-06104B-02	7.30	TC-06104F-02	8.00
TC-06104C-02	9.50	TC-06104G-02	12.50

NO	PART	MATERIAL	QTY	REMARKS
5	CONTACT	P B S	1	Ag PLATED
3	TERMINAL	BRASS	4	Ag PLATED
1	FRAME	NYLON 46	1	

NO	PART	MATERIAL	QTY	REMARKS
4	COVER BOARD	SPCC	1	Ni PLATED
2	KNOB	NYLON 46	1	

ISSUED

SPECIFICATION

TITLE: TACT SWITCH (SMD)



RATING: DC 12V 50mA
 CONTACT RESISTANCE: 100mΩ Max.
 INSULATION RESISTANCE: 100MΩ at 500V DC
 WITHSTAND VOLTAGE: AC 250V for 1 minute.
 OPERATION FORCE: REFER ATTACH SPECIFICATION
 SWITCHING LIFE: 100k Cycles Min.

MODEL NO: TC-06104()-00-M

TOLERANCE	UNIT: MM	DWN.
UP TO 1.0:±0.1	SCALE: 4:1	<i>hoo</i>
1.0 TO 10.0:±0.2	VERSION: 03	<i>mm</i>
OVER 10.0:±0.3	DRWG NO:	<i>[Signature]</i>