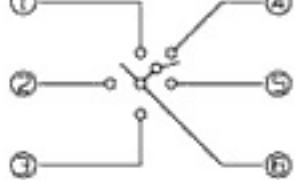
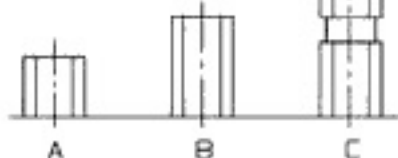
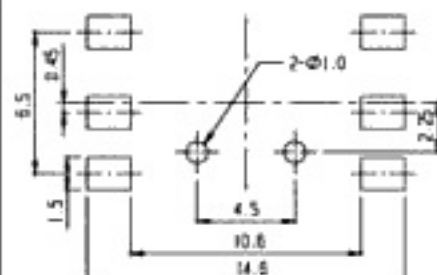
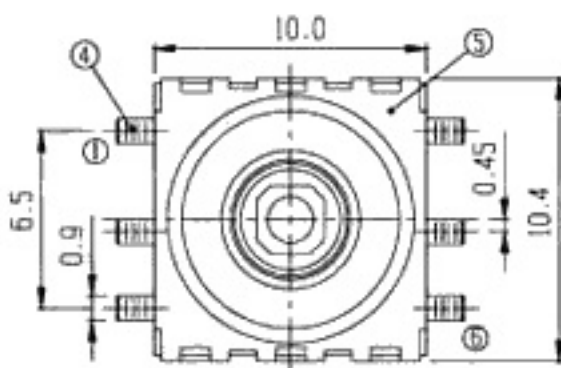


KNOB TYPE :

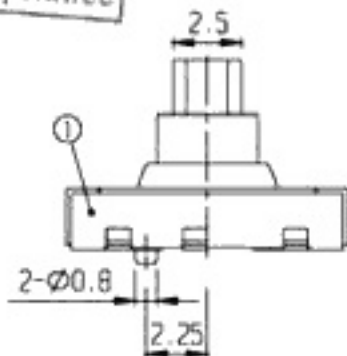
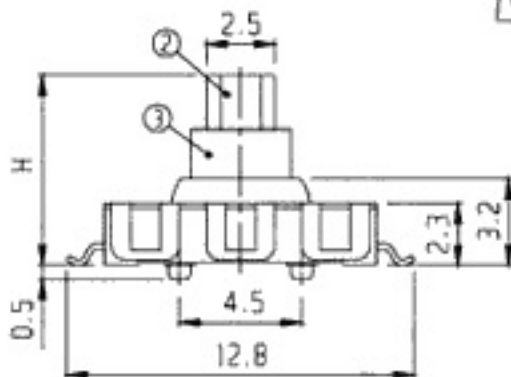


**SCHEMATIC**



**PCB LAYOUT**

RoHS  
Compliance



STROKE (mm) : 4-DIRECTION : 0.4±0.1, CENTER : 0.2±0.1.

| MODEL NO.    | H   |
|--------------|-----|
| TC-16301A-00 | 5.0 |
| TC-16301B-00 | 7.0 |
| TC-16301C-00 | 9.0 |

| NO | PART        | MATERIAL | QTY | REMARKS | NO | PART     | MATERIAL | QTY | REMARKS   |
|----|-------------|----------|-----|---------|----|----------|----------|-----|-----------|
| 5  | COVER BOARD | S U S    | 1   |         | 6  | CONTACT  | S U S    | 5   | Ag PLATED |
| 3  | KNOB2       | NYLON    | 1   |         | 4  | TERMINAL | BRASS    | 6   | Ag PLATED |
| 1  | FRAME       | NYLON    | 1   |         | 2  | KNOB1    | NYLON    | 1   |           |

ISSUED

SPECIFICATION

TITLE: TACT SWITCH (37)

RATING: DC 12V 50mA  
 CONTACT RESISTANCE: 100mΩ Max.  
 INSULATION RESISTANCE: 100MΩ at 500V DC  
 WITHSTAND VOLTAGE: AC 250V for 1 minute.  
 OPERATION FORCE: REFER ATTACH SPECIFICATION  
 SWITCHING LIFE: 100k Cycles Min.

MODEL NO: TC-16301( )

| TOLERANCE        | UNIT: MM   | DWN.              |
|------------------|------------|-------------------|
| UP TO 1.0:±0.1   | SCALE: 4:1 | hso               |
| 1.0 TO 10.0:±0.2 | VERSION: 1 | CHK'D. m          |
| OVER 10.0:±0.3   | DRWG NO:   | APPD. [Signature] |

