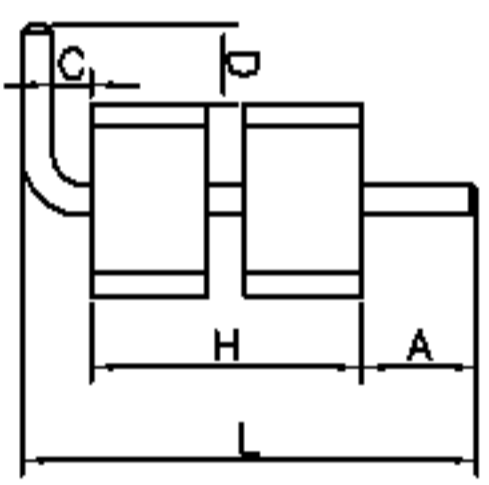
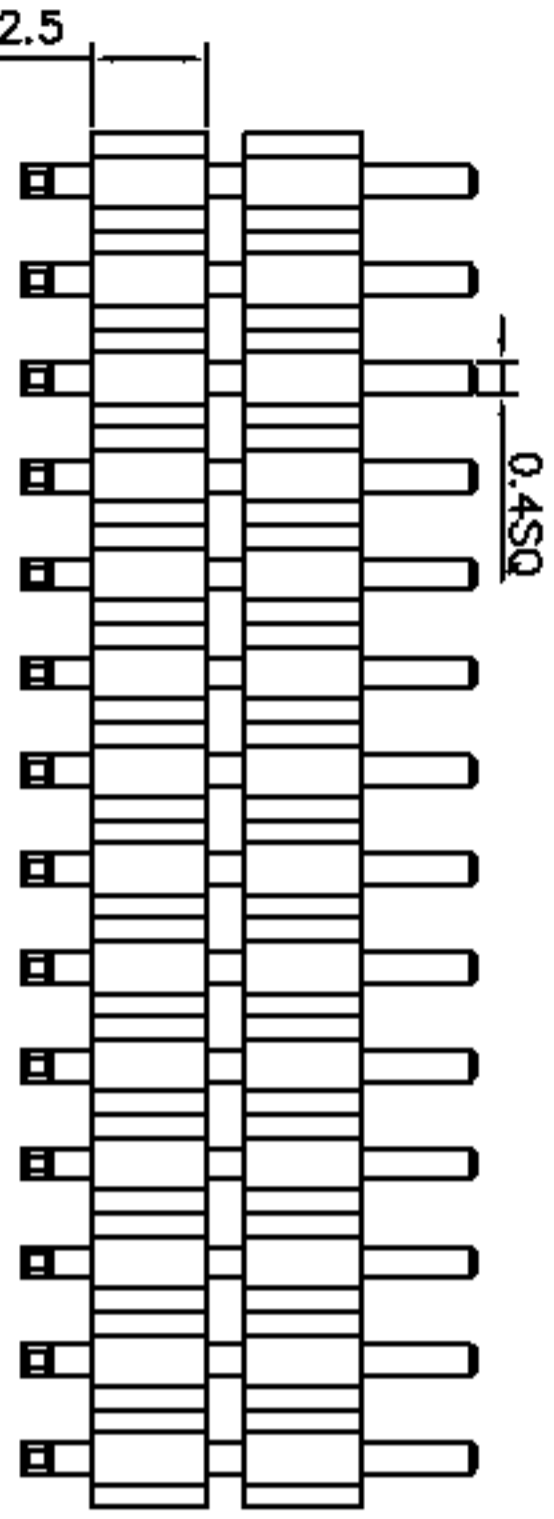
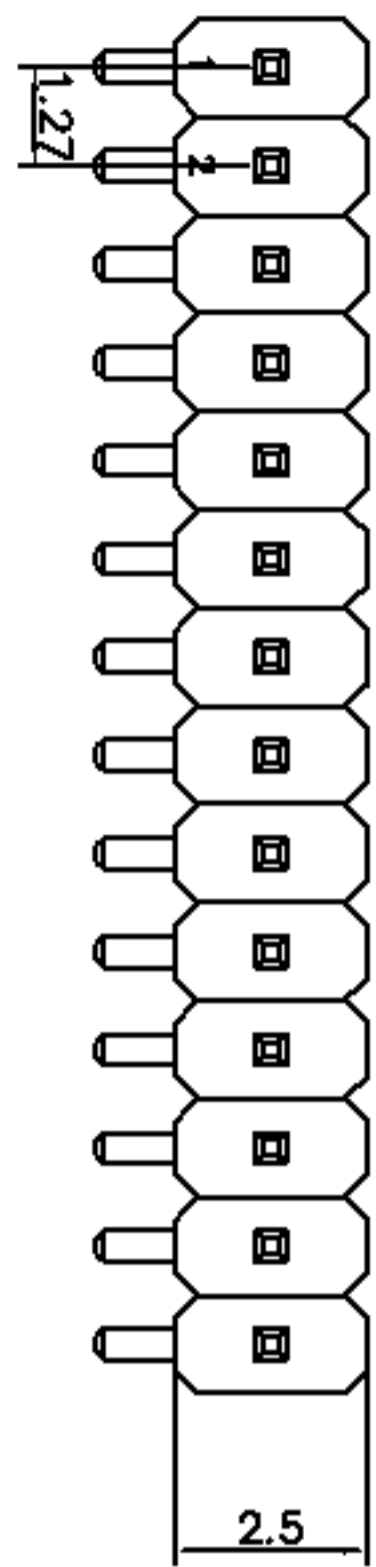


A				
	新版图	/	2011.09.07	LZW

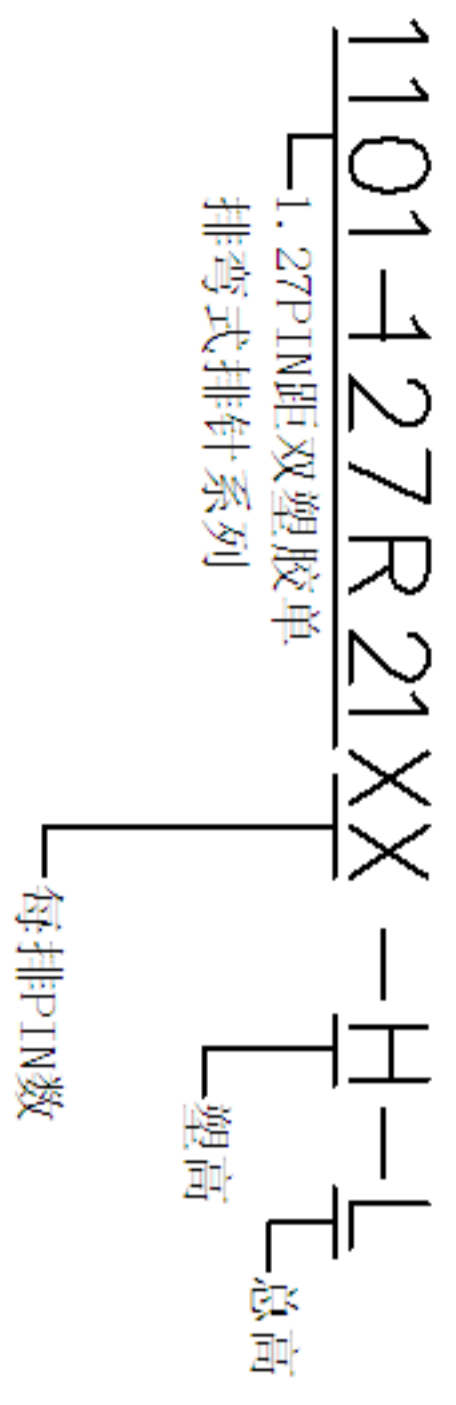


A、C、D、H、L的尺寸
可依客户要求订做



PCB Layout

Specification:
 Current Rating: 1 Ampere
 Insulation Resistance: 1000M ohms Min.
 Dielectric Withstanding: 300V AC
 Contact Resistance: 20m ohms Max.
 Operating temperature: -40° C to +105° C
 Material:
 Contact: Brass, Gold Flash or per Require
 Housing: Nylon6T UL 94V-0



TOLERANCE		ANGLE
TOL ON		
.XXX =	0.05	
XX =	0.15	1°
X -	0.20	2°
X. =	0.30	

DRAWN	DATE	 武汉宇恒电子有限公司 WUHAN YUHENG ELECTRONIC CO., LTD
LZW	2011.09.07	
CHECKED	DATE	TITLE:
		排针系列-1.27PIN距-单排 双塑胶-弯式
CLIENT APPROVED	DATE	REQ NO
		CLIENT P/N
		UNIT: mm
		SCALE: free
		FILE NO.: YH20120526A003