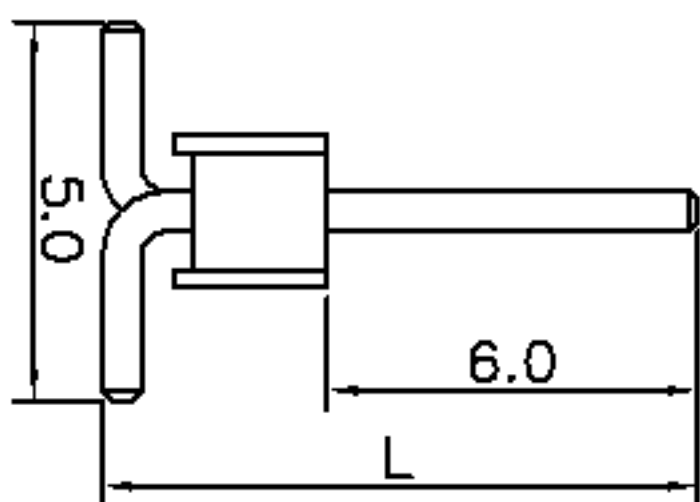
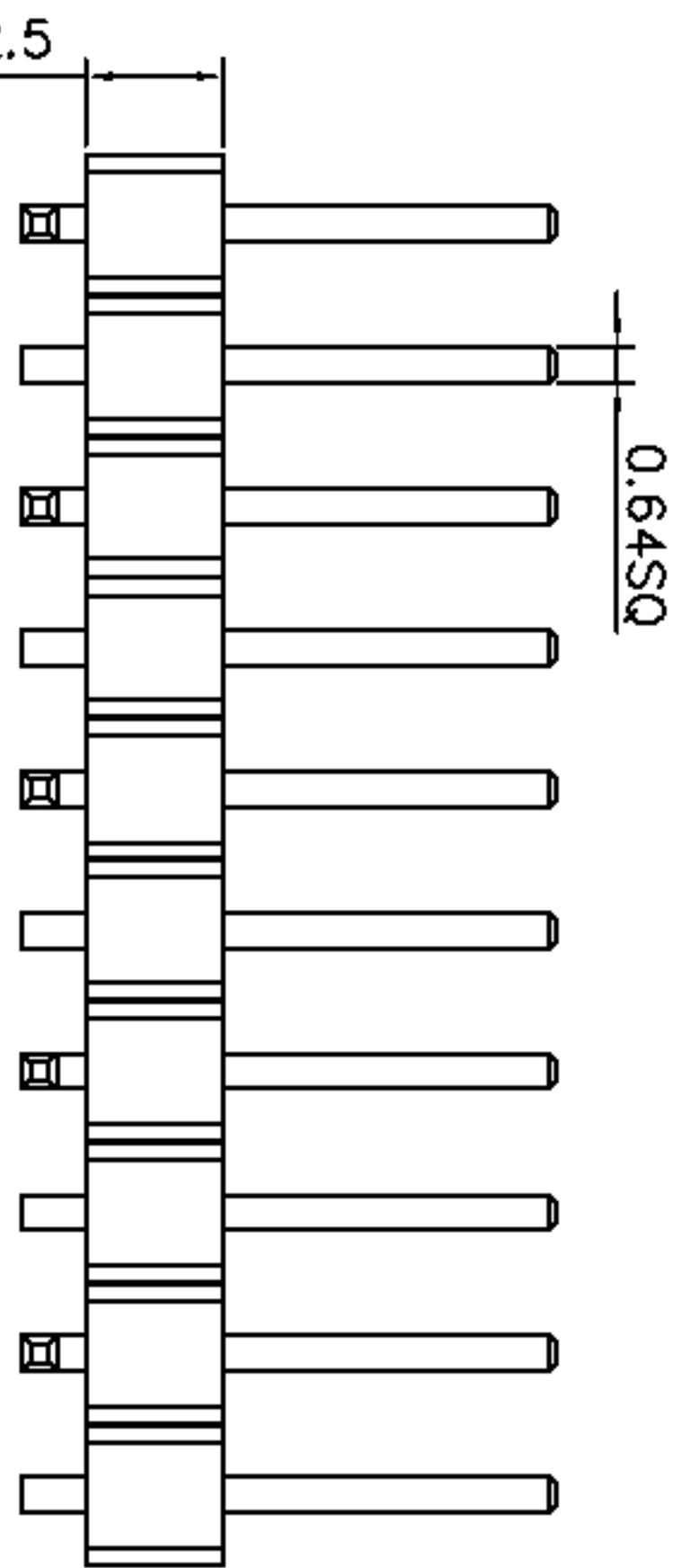
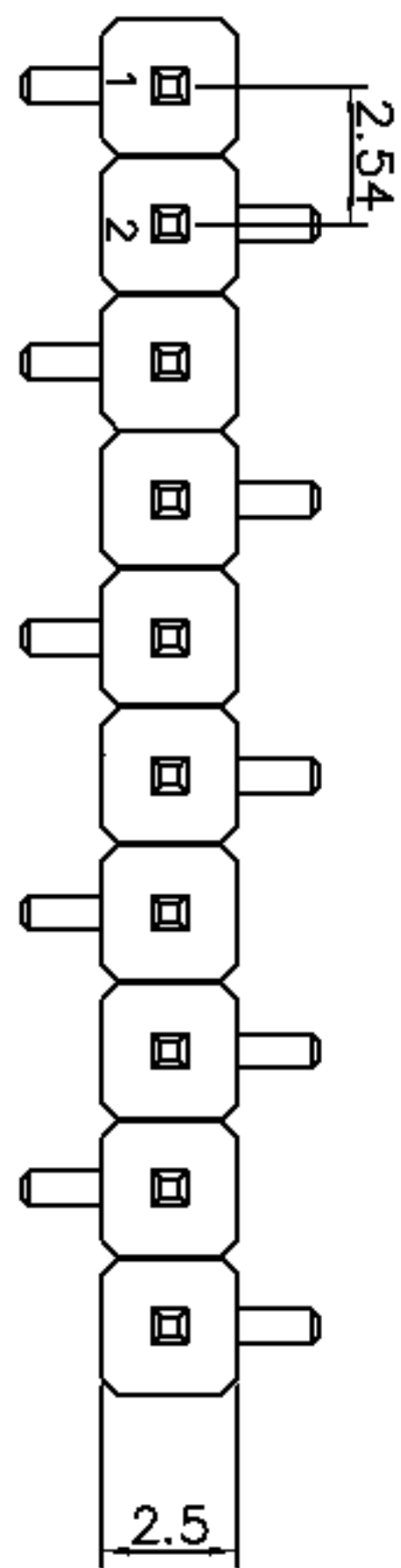
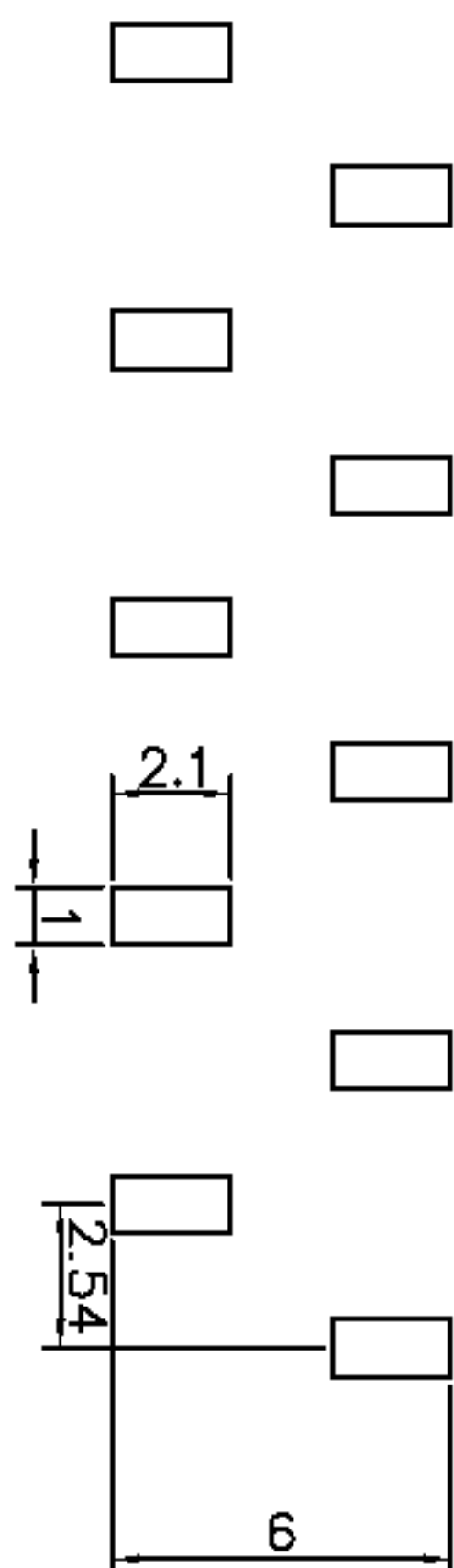


A				
	新版图	/	2012.05.23	L2M



L的尺寸
可依客户要求订做



PCB Layout

Technical Data:

Material:
Contact Material:Brass
Insulator Material:PBT+30%GF
Electrical:
Current rating:3Amps/Contact max.
Contact resistance:<=20mohms/Contact
Insulation resistance:>=1000Mohms at V=100V
Withstanding Voltage:550V AC/Minute
Mechanical:
Operating Temperature:Gold plated :-55° C~105° C
Tin plated :-40° C~105° C
Soldering Temperature:260° C 10s Max.

1101-254M11XXB-H-L
2.54PIN距单塑胶单
排SMT排针系列
总高
塑高
A:1脚右贴 B:1脚左贴
每排PIN数

TOLERANCE		ANGLE
TOL		
ON		
.XXX =	0.05	
XX =	0.15	1°
X -	0.20	2°
X. =	0.30	

DRAWN	DATE	 武汉宇恒电子有限公司 WUHAN YUHENG ELECTRONIC CO., LTD
YSH	2012.05.23	
CHECKED	DATE	TITLE:
CLIENT APPROVED	DATE	排针系列-2.54 PIN距-单排-单塑胶 贴片 左1脚
RFQ NO		
CLIENT P/N	1101-254M11XXB-XX-XX	
UNIT	mm	SCALE: free
FILE NO.	YH20120528004	